

# CSH EFSNK C TO

## CASHEW Tap Range Cashew Easyfit Monobloc Sink Mixer Chrome Tap Only



### Features:

- Long life and easy to use 1/4 turn ceramic disc valves
- Product supplied without Easyfit base
- Minimum working pressure of 0.5 bar

### Product Certifications:



WRAS Certificate No: 2109910  
WRAS Expiry Date: 30/09/2026



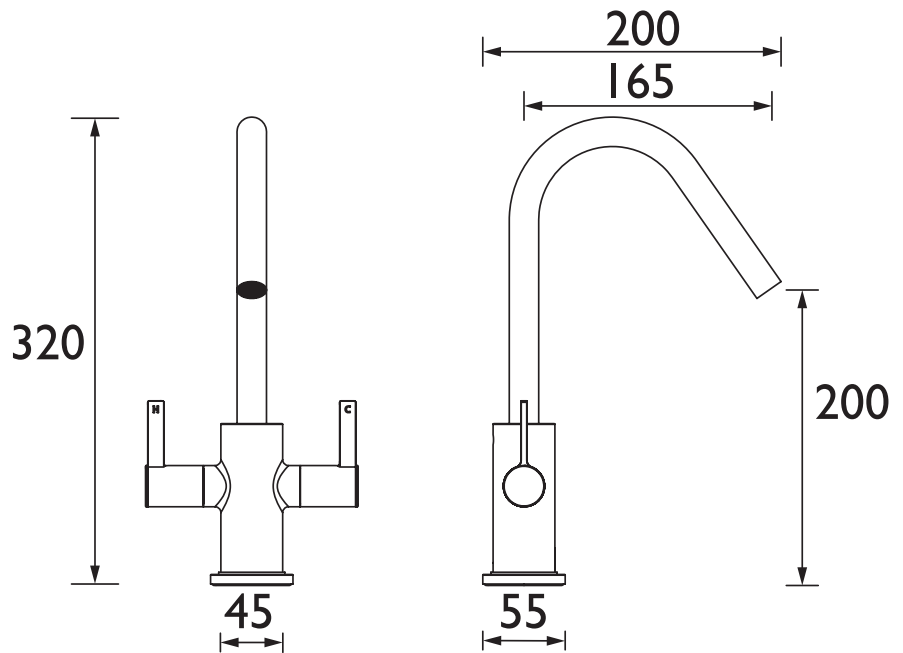
For more products, visit our website:  
<http://www.bristan.com>



### Specification

Product Type:	Kitchen Taps
Main Construction Material:	Brass
Mount Type:	Deck
Handle Type:	Lever
Connection Inlet:	1/2" BSP Flexible Tails
Connection Outlet:	Aerator
Number of Tap Holes:	1
Valve/Cartridge Type:	1/2" Ceramic Disc Valve
Plumbing System Requirements:	Suitable for all plumbing systems
Minimum Dynamic Pressure (bar):	0.5 bar
Maximum Dynamic Pressure (bar):	5.0 bar
Maximum Hot Water Temperature °C:	60°C
Maximum Static Pressure (bar):	10 bar
Flow Type:	Single
Isolation Included:	Yes

### Dimensions (measurements in mm)



### Flow Rates (l/min)

System Pressure (bar)	0.5	1	2	3	5
CSH EFSNK C TO (mixed)	3.4	5.6	9.2	11.8	16.7

## TECHNICAL DATA SHEET



# BRISTAN