

# CM SNK EF C TO

## MATRIX Tap Range Matrix Easyfit Sink Mixer Chrome Tap Only



### Specification

<b>Product Type:</b>	Kitchen Taps
<b>Main Construction Material:</b>	Brass
<b>Mount Type:</b>	Deck Mounted
<b>Handle Type:</b>	Lever
<b>Connection Inlet:</b>	1/2" BSP Flexible Tails
<b>Connection Outlet:</b>	
<b>Number of Tap Holes:</b>	1
<b>Valve/Cartridge Type:</b>	1/2" Compression Valves
<b>Plumbing System Requirements:</b>	All, Preferably Balanced
<b>Working Pressure Range:</b>	Min 0.3 Bar, Max 5.0 Bar
<b>Maximum Hot Water Temperature: °C</b>	65
<b>Maximum Static Pressure: (bar)</b>	10
<b>Flow Type:</b>	Single Flow
<b>Isolation Included:</b>	Yes

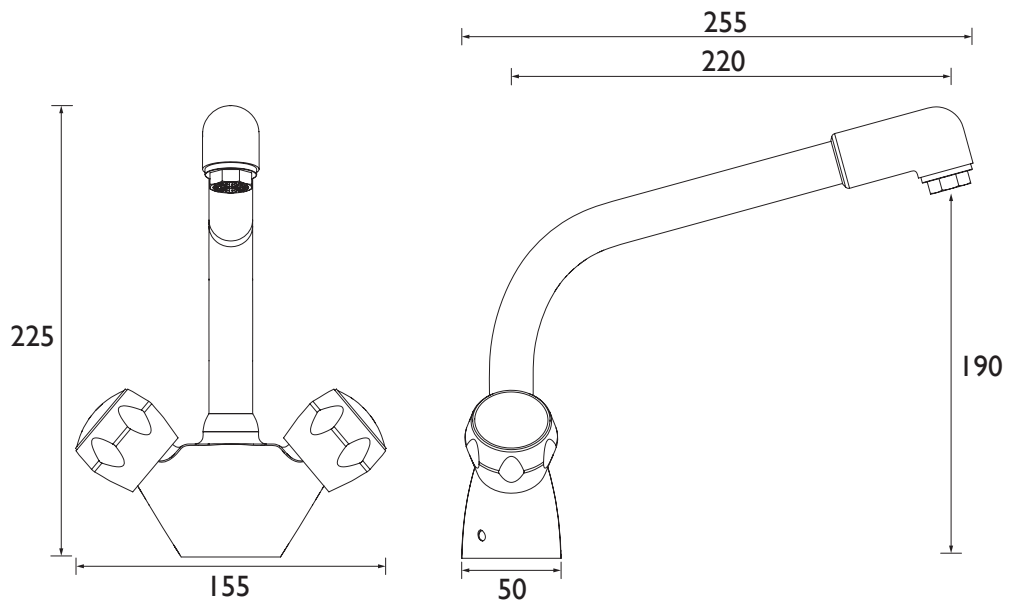
### Features:

- Metal fixing nut for added durability
- Product supplied without Easyfit base
- Minimum working pressure of 0.3 bar

### Product Certifications:



### Dimensions (measurements in mm)



For more products, visit our website:  
<http://www.bristan.com>



### Flow Rates (l/min)

System Pressure (bar)	0.2	0.5	1	2	3	5
CM SNK EF C TO	15.8	20.4	28.8	40.7	49.9	64.4

## TECHNICAL DATA SHEET



# BRISTAN

TAPS & SHOWERS Dx