

# PCN EFSNK C TO

## PECAN Tap Range Pecan EFSNK Chrome Tap Only



### Features:

- Long life and easy to use 1/4 turn ceramic disc valves
- Product supplied without Easyfit base
- Minimum working pressure of 0.3 bar

### Product Certifications:



WRAS Certificate No: 2109911  
WRAS Expiry Date: 30/09/2026



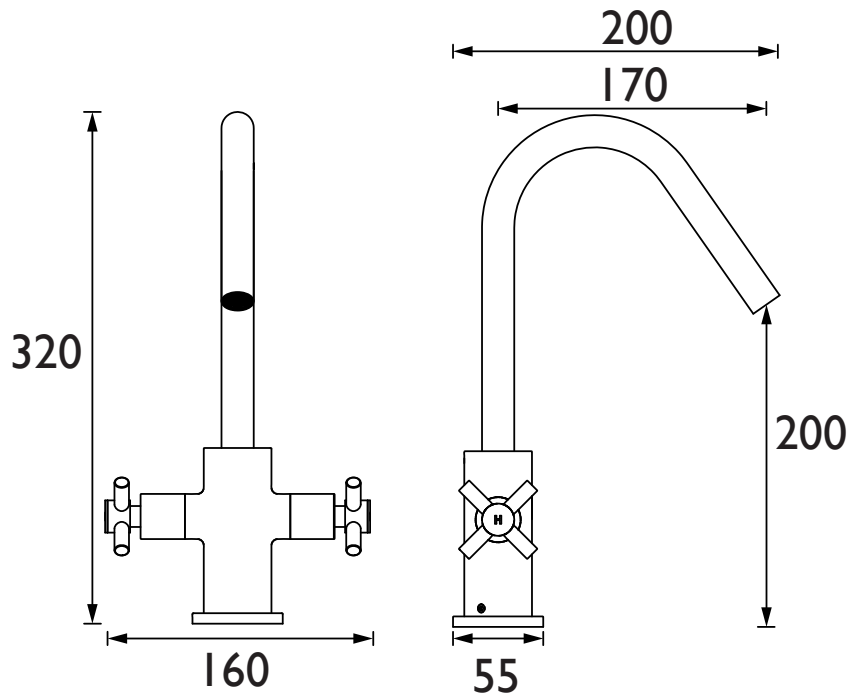
For more products, visit our website:  
<http://www.bristan.com>



### Specification

Product Type:	Kitchen Taps
Main Construction Material:	Brass
Mount Type:	Deck Mounted
Handle Type:	Crosshead Handles
Connection Inlet:	1/2" BSP Flexible Tails
Connection Outlet:	Flow Straightener
Number of Tap Holes:	1
Valve/Cartridge Type:	1/2" Ceramic Disc Valve
Plumbing System Requirements:	Suitable for all plumbing systems
Minimum Dynamic Pressure (bar):	0.3 bar
Maximum Dynamic Pressure (bar):	5.0 bar
Maximum Hot Water Temperature °C:	65°C
Maximum Static Pressure (bar):	10 bar
Flow Type:	Single Flow
Isolation Included:	Yes

### Dimensions (measurements in mm)



### Flow Rates (l/min)

System Pressure (bar)	0.3	0.5	1	2	3	5
PCN EFSNK C TO (mixed)	11.8	15.5	20.8	29.8	37.2	48

## TECHNICAL DATA SHEET



# BRISTAN