

M SNK EF BGE TO

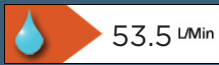
MONTREAL Tap Range Montreal Easyfit Sink Mixer Beige Tap Only



Features:

- Metal fixing nut for added durability
- Product supplied without Easyfit base
- Minimum working pressure of 0.3 bar

Product Certifications:



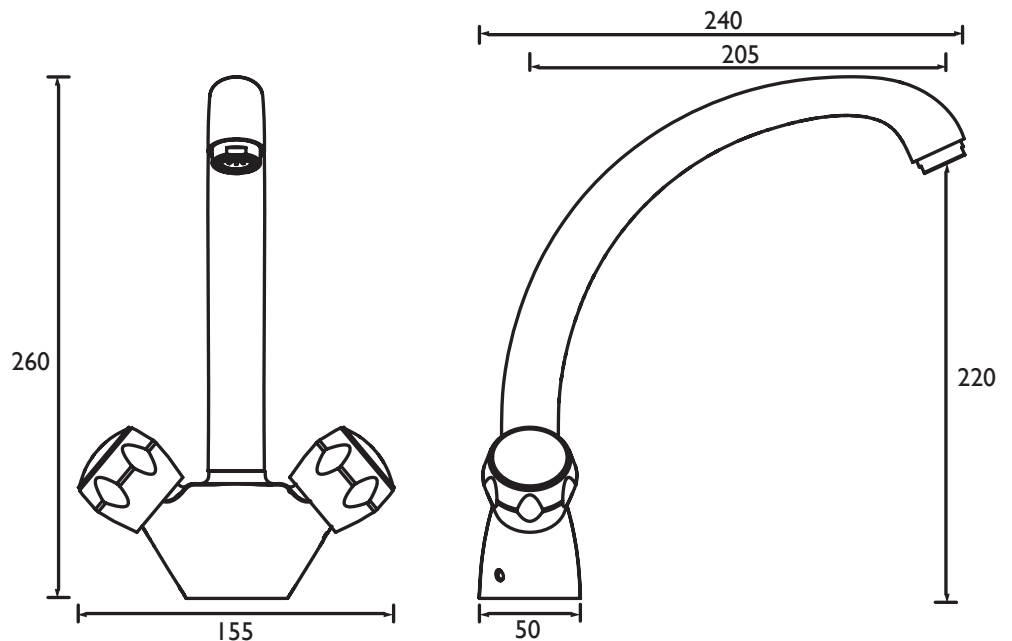
For more products, visit our website:
<http://www.bristan.com>



Specification

Product Type:	Kitchen Taps
Main Construction Material:	Brass
Mount Type:	Deck Mounted
Handle Type:	Lever
Connection Inlet:	1/2" BSP Flexible Tails
Connection Outlet:	
Number of Tap Holes:	1
Valve/Cartridge Type:	1/2" Compression Valves
Plumbing System Requirements:	All, Preferably Balanced
Working Pressure Range:	Min 0.3 Bar, Max 5.0 Bar
Maximum Hot Water Temperature: °C	65
Maximum Static Pressure: (bar)	10
Flow Type:	Single Flow
Isolation Included:	Yes

Dimensions (measurements in mm)



Flow Rates (l/min)

System Pressure (bar)	0.2	0.5	1	2	3	5
M SNK EF BGE TO	16.9	21.8	30.9	43.7	53.5	69.1

TECHNICAL DATA SHEET



BRISTAN

TAPS & SHOWERS

D1