

KG SNK EF C TO

KINGSBURY Tap Range Kingsbury Easyfit Sink Mixer Chrome Tap Only



Features:

- Product supplied without Easyfit base

Product Certifications:



WRAS Cert. Number: 2006908
WRAS Expiry Date: 30/06/2025



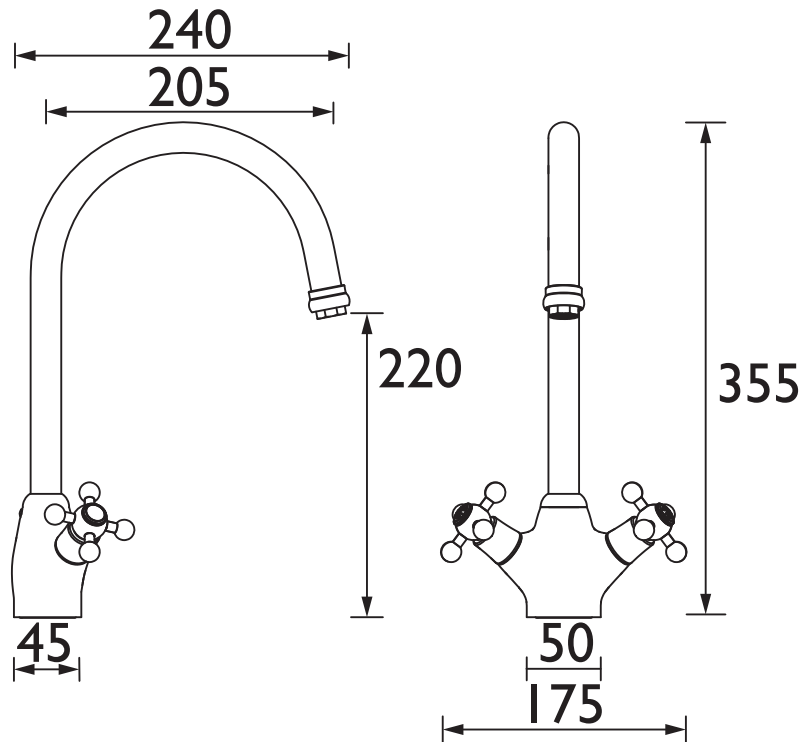
For more products, visit our website:
<http://www.bristan.com>



Specification

Product Type:	Kitchen Taps
Main Construction Material:	Brass
Mount Type:	Deck Mounted
Handle Type:	Crosshead Handles
Connection Inlet:	1/2" BSP Flexible Tails
Connection Outlet:	M22 Flow Straightener
Number of Tap Holes:	1
Valve/Cartridge Type:	1/2" Compression Valve
Plumbing System Requirements:	Suitable for all plumbing systems
Minimum Dynamic Pressure (bar):	0.2 bar
Maximum Dynamic Pressure (bar):	5 bar
Maximum Hot Water Temperature °C:	65°C
Maximum Static Pressure (bar):	10 bar
Isolation Included:	Yes

Dimensions (measurements in mm)



Flow Rates (l/min)

System Pressure (bar)	0.2	0.5	1	2	3	5
KG SNK EF C TO (mixed)	12.7	20.1	28.5	40.3	49.3	63.6

TECHNICAL DATA SHEET



BRISTAN

D3