

# VG SNK EF C TO

## VEGAS Tap Range Vegas Easyfit Mono Sink Mixer Chrome Tap Only



### Features:

- Long life ceramic cartridge for added durability and ease of use
- Product supplied without Easyfit base
- Minimum working pressure of 0.3 bar

### Product Certifications:



WRAS Certificate No: 2112902  
WRAS Expiry Date: 31/12/2026



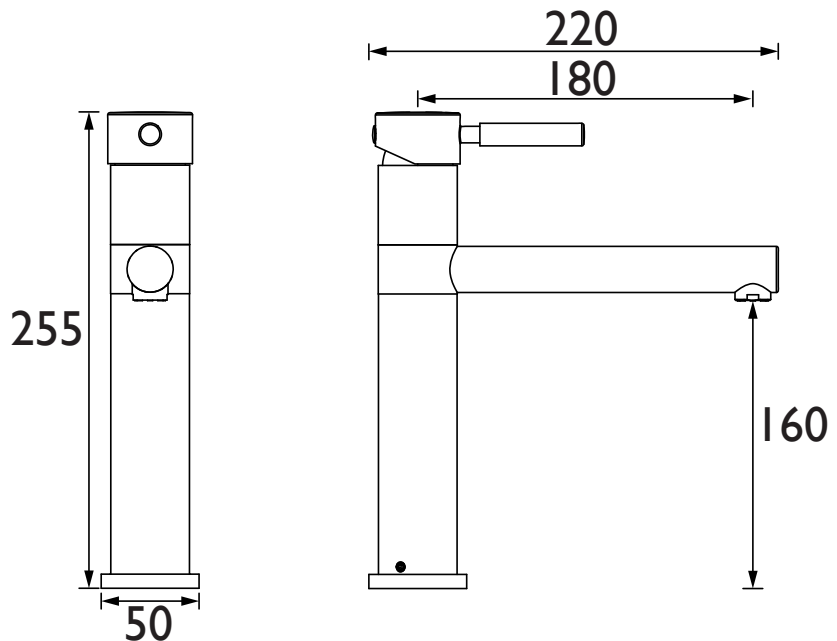
For more products, visit our website:  
<http://www.bristan.com>



### Specification

Product Type:	Kitchen Taps
Main Construction Material:	Brass
Mount Type:	Deck Mounted
Handle Type:	Lever Handle
Connection Inlet:	1/2" BSP Flexible Tails
Connection Outlet:	Aerator
Number of Tap Holes:	1
Valve/Cartridge Type:	35mm Ceramic Cartridge
Plumbing System Requirements:	Suitable for all plumbing systems
Minimum Dynamic Pressure (bar):	0.3 bar
Maximum Dynamic Pressure (bar):	5.0 bar
Maximum Hot Water Temperature °C:	65°C
Maximum Static Pressure (bar):	10 bar
Flow Type:	Single Flow
Isolation Included:	Yes

### Dimensions (measurements in mm)



### Flow Rates (l/min)

System Pressure (bar)	0.3	0.5	1	2	3	5
VG SNK EF C TO (mixed)	6	7.7	11	15.5	19.1	24.6

## TECHNICAL DATA SHEET



# BRISTAN

D3