

K SNK EF ABRZ TO

COLONIAL Tap Range Colonial Easyfit Sink Mixer Antique Bronze Tap Only



Features:

- Product supplied without Easyfit base
- Minimum working pressure of 0.3 bar

Product Certifications:



WRAS Certificate No: 2109907
WRAS Expiry Date: 30/09/2026

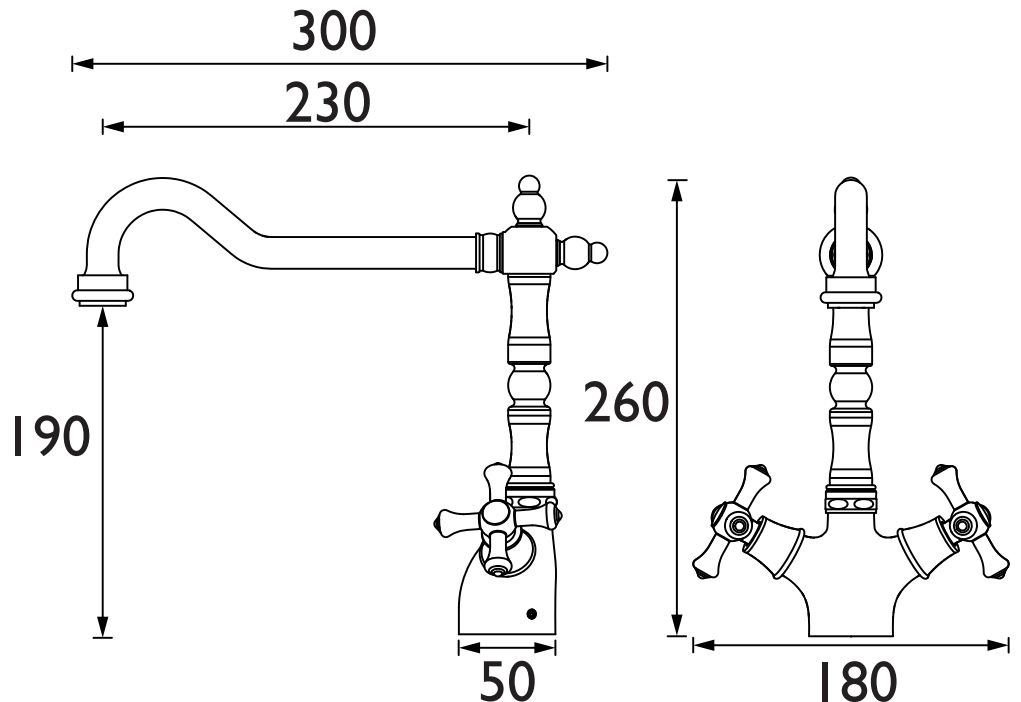
For more products, visit our website:
<http://www.bristan.com>



Specification

Product Type:	Kitchen Taps
Main Construction Material:	Brass
Mount Type:	Deck Mounted
Handle Type:	Crosshead Handles
Connection Inlet:	1/2" BSP Flexible Tails
Connection Outlet:	Open
Number of Tap Holes:	1
Valve/Cartridge Type:	1/2" Compression Valve
Plumbing System Requirements:	Suitable for all plumbing systems
Minimum Dynamic Pressure (bar):	0.3 bar
Maximum Dynamic Pressure (bar):	5.0 bar
Maximum Hot Water Temperature °C:	65°C
Maximum Static Pressure (bar):	10 bar
Flow Type:	Single Flow
Isolation Included:	Yes

Dimensions (measurements in mm)



Flow Rates (l/min)

System Pressure (bar)	0.3	0.5	1	2	3	5
K SNK EF ABRZ TO (mixed)	13.6	17.5	24.8	35.1	42.9	55.4

TECHNICAL DATA SHEET



BRISTAN