

J SFSNK EF C TO

JAVA Tap Range Java Single Flow Easyfit Mono Sink Mixer Chrome Tap Only



Specification

| | |
|-----------------------------------|-----------------------------------|
| Product Type: | Kitchen Taps |
| Main Construction Material: | Brass |
| Mount Type: | Deck Mounted |
| Handle Type: | Lever Handles |
| Connection Inlet: | 1/2" BSP Flexible Tails |
| Connection Outlet: | M24 Aerator |
| Number of Tap Holes: | 1 |
| Valve/Cartridge Type: | Ceramic Cartridge |
| Plumbing System Requirements: | Suitable for all plumbing systems |
| Minimum Dynamic Pressure (bar): | 0.3 bar |
| Maximum Dynamic Pressure (bar): | 5.0 bar |
| Maximum Hot Water Temperature °C: | 65°C |
| Maximum Static Pressure (bar): | 10 bar |
| Flow Type: | Single Flow |
| Isolation Included: | Yes |

Features:

- Long life ceramic cartridge for added durability and ease of use
- Product supplied without Easyfit base
- Minimum working pressure of 0.3 bar

Product Certifications:



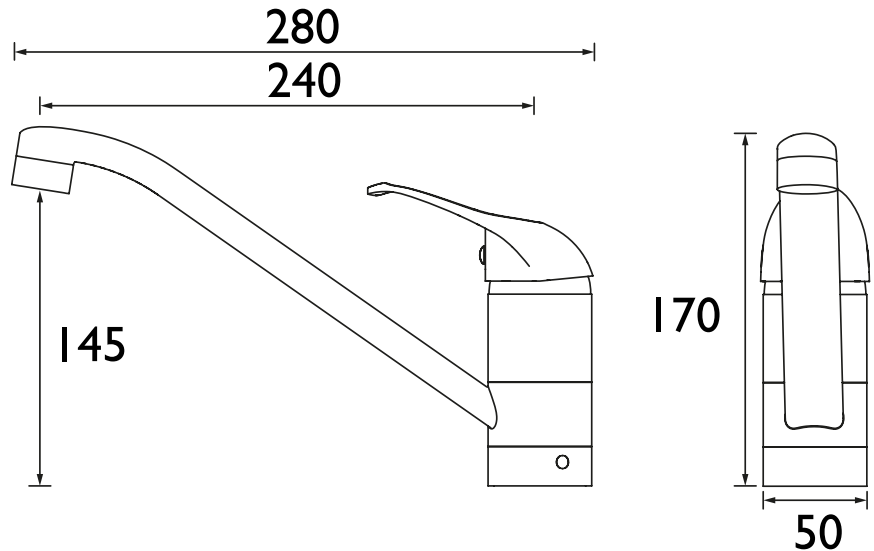
WRAS Cert. Number: 2111906
WRAS Expiry Date: 30/11/2026



For more products, visit our website:
<http://www.bristan.com>



Dimensions (measurements in mm)



Flow Rates (l/min)

| System Pressure (bar) | 0.3 | 0.5 | 1 | 2 | 3 | 5 |
|-------------------------|-----|------|------|------|----|------|
| J SFSNK EF C TO (mixed) | 8.9 | 11.4 | 16.2 | 22.9 | 28 | 36.2 |

TECHNICAL DATA SHEET



BRISTAN