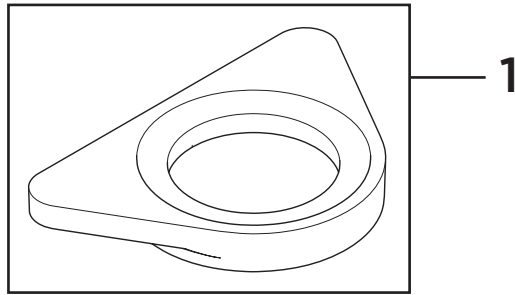
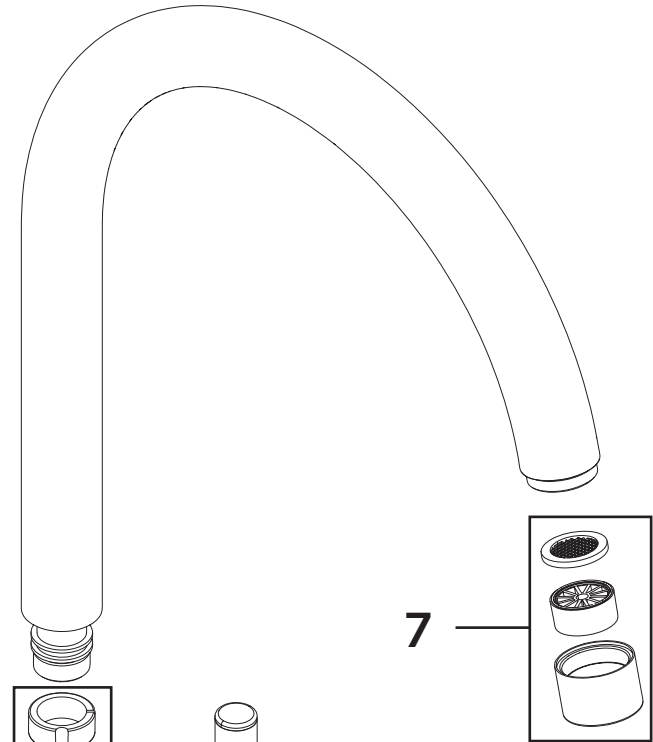
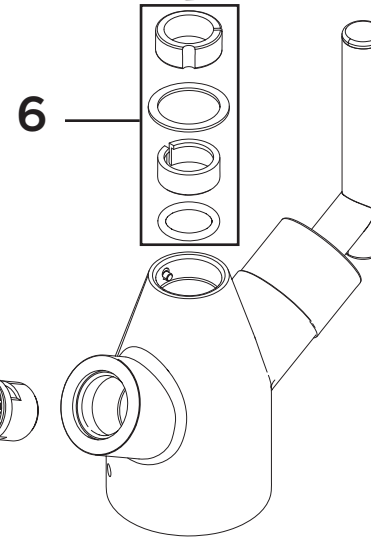
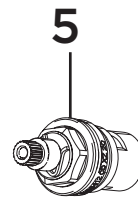
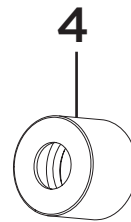
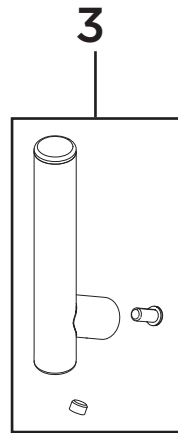


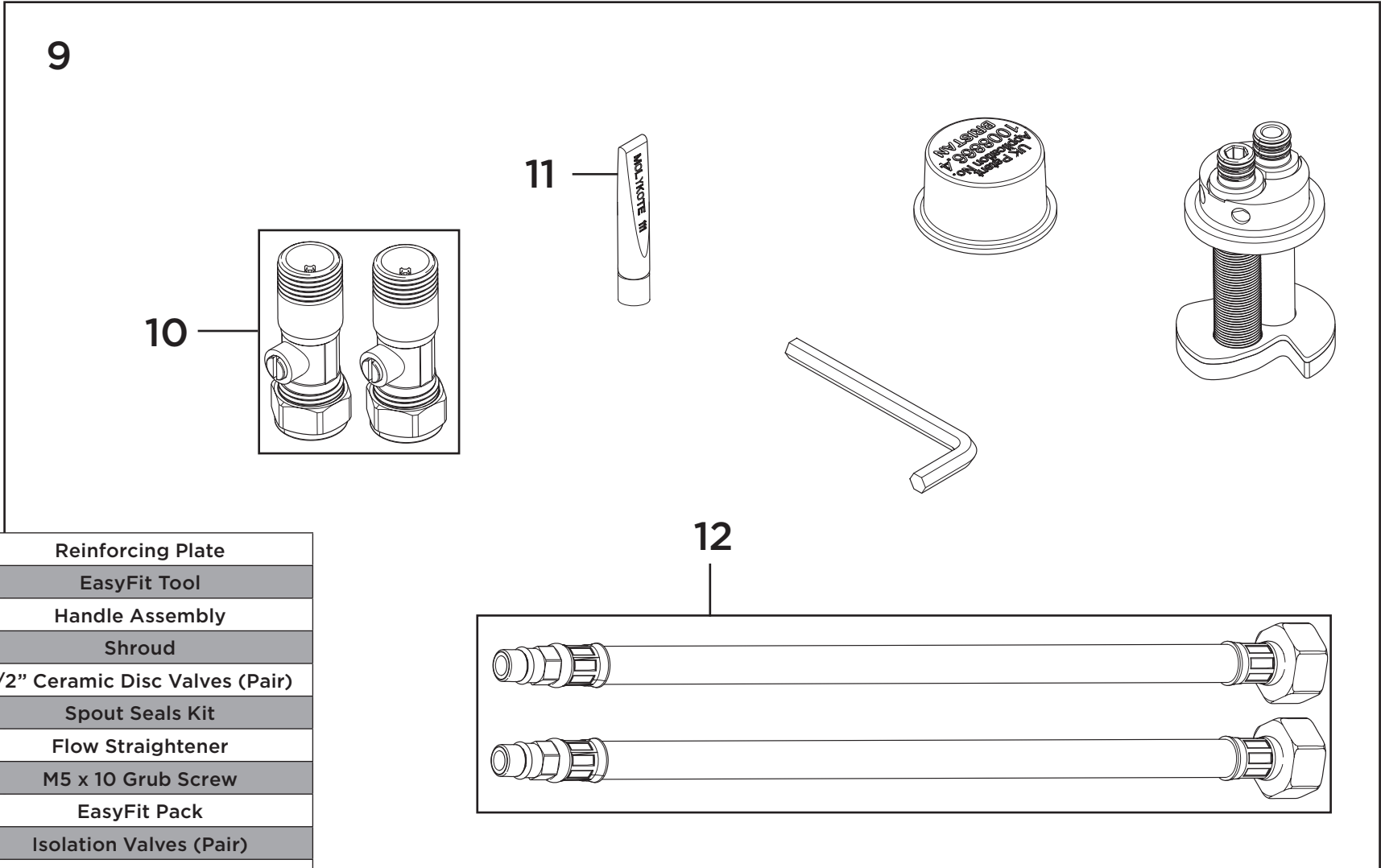
Product Code: CHV EFSNK C
Revision: D2



1	Reinforcing Plate
2	EasyFit Tool
3	Handle Assembly (Pair)
4	Shroud
5	1/2" Ceramic Disc Valves (Pair)
6	Spout Seals Kit
7	Flow Straightener
8	M5 x 10 Grub Screws (Pair)
9	EasyFit Pack
10	Isolation Valves (Pair)
11	Molykote Grease
12	1/2" BSP Flexible Tails (Pair)



Product Code: CHV EFSNK C
Revision: D2



1	Reinforcing Plate
2	EasyFit Tool
3	Handle Assembly
4	Shroud
5	1/2" Ceramic Disc Valves (Pair)
6	Spout Seals Kit
7	Flow Straightener
8	M5 x 10 Grub Screw
9	EasyFit Pack
10	Isolation Valves (Pair)
11	Molykote Grease
12	1/2" BSP Flexible Tails (Pair)