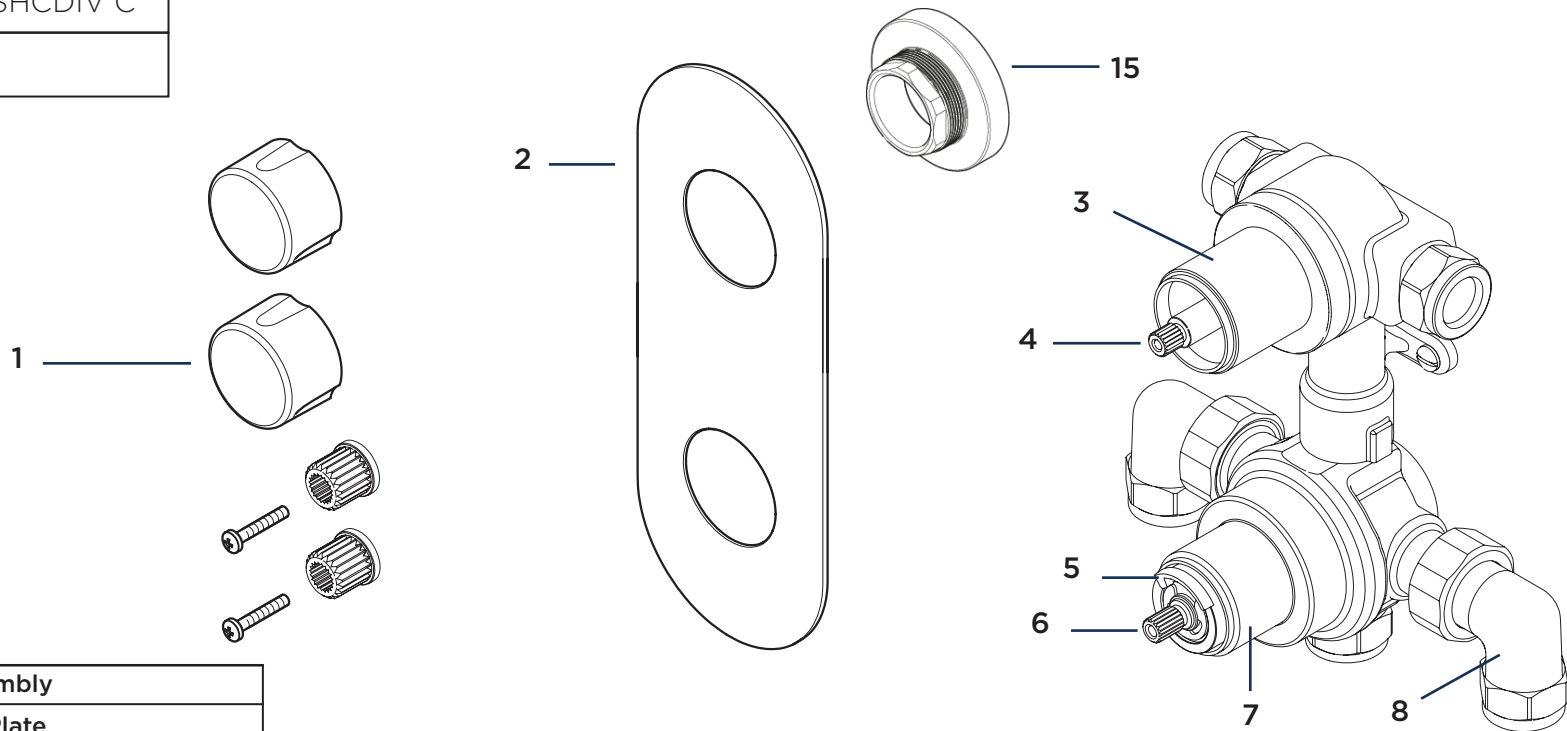


Product Code: EXD SHCDIV C

Revision: D2



1	Handle Assembly
2	Concealing Plate
3	Diverter Shroud
4	Diverter Valve
5	Temperature Stop
6	Thermostatic Cartridge
7	Temperature Shroud
8	Elbow Assembly (Pair)
9	Fixings
10	Wall Outlet
11	Filter Washers
12	Flow Regulator 5lpm
13	Flow Regulator 7lpm
14	Inserts
15	Diverter Retaining Nut

