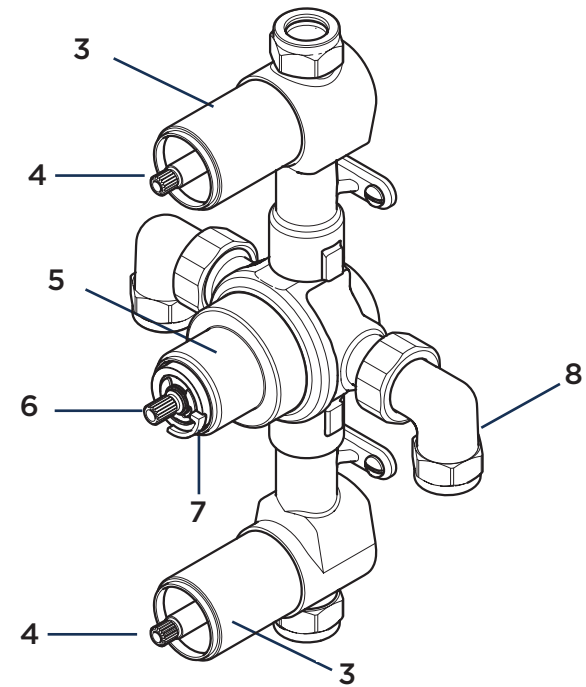
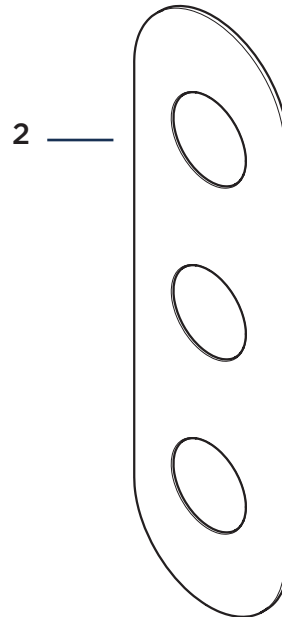
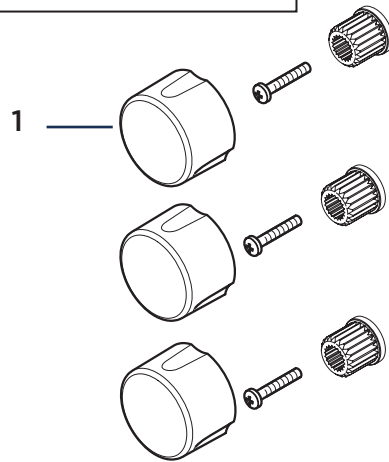


Product Code: EXD SHC3STP C

Revision: D1



| | |
|----|------------------------|
| 1 | Flow Handle Assembly |
| 2 | Concealing Plate |
| 3 | Valve Shroud |
| 4 | Valve |
| 5 | Temperature Shroud |
| 6 | Thermostatic Cartridge |
| 7 | Temperature Stop |
| 8 | Elbow Assy (Pair) |
| 9 | Fixings |
| 10 | Wall Outlet |
| 11 | Filter Washers |
| 12 | Flow Regulator |
| 13 | Flow Regulator |
| 14 | Inserts |

