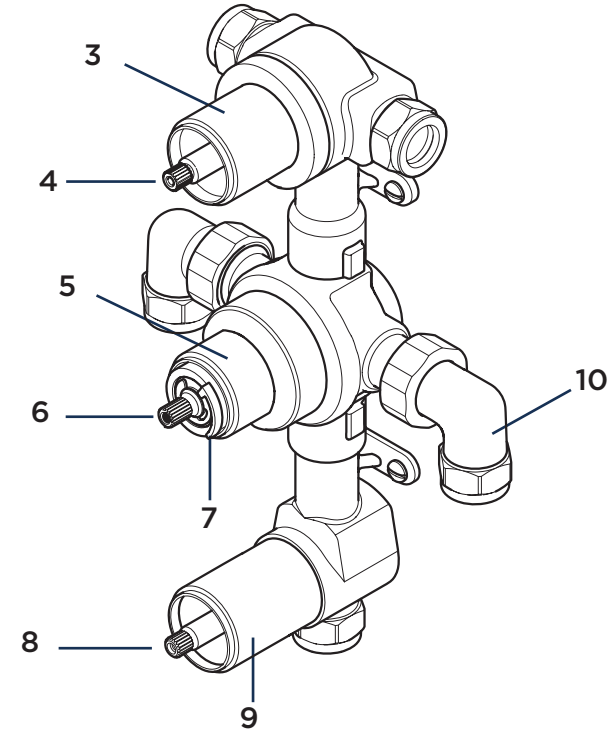
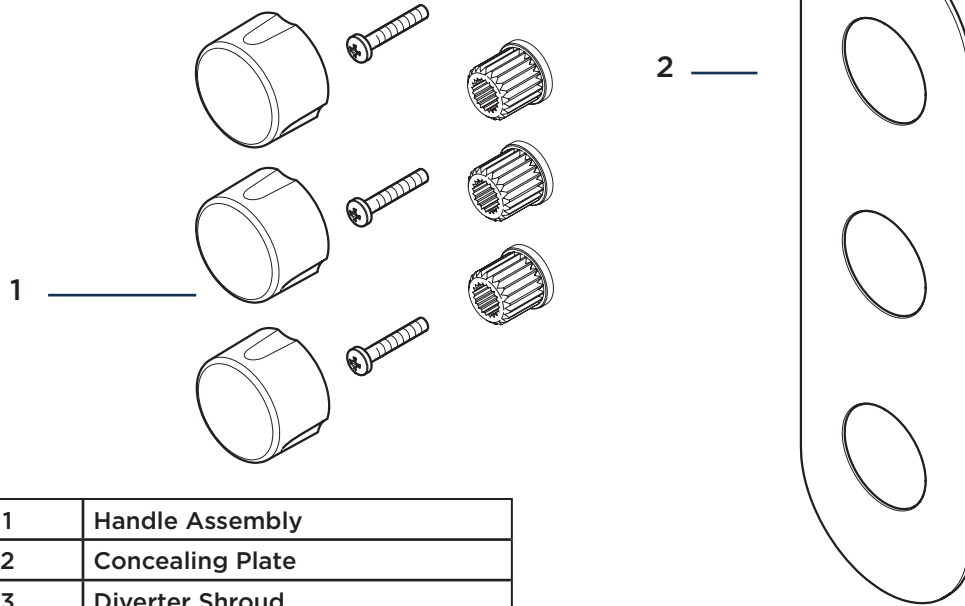


Product Code: EXD SHC3DIV C

Revision: D1



1	Handle Assembly
2	Concealing Plate
3	Diverter Shroud
4	Diverter Valve
5	Temperature Shroud
6	Thermostatic Cartridge
7	Temperature Stop
8	Valve
9	Flow Shroud
10	Elbow Assey (Pair)
11	Fixings
12	Wall Outlet
13	Filter Washers
14	Flow Regulator
15	Flow Regulator
16	Inserts

