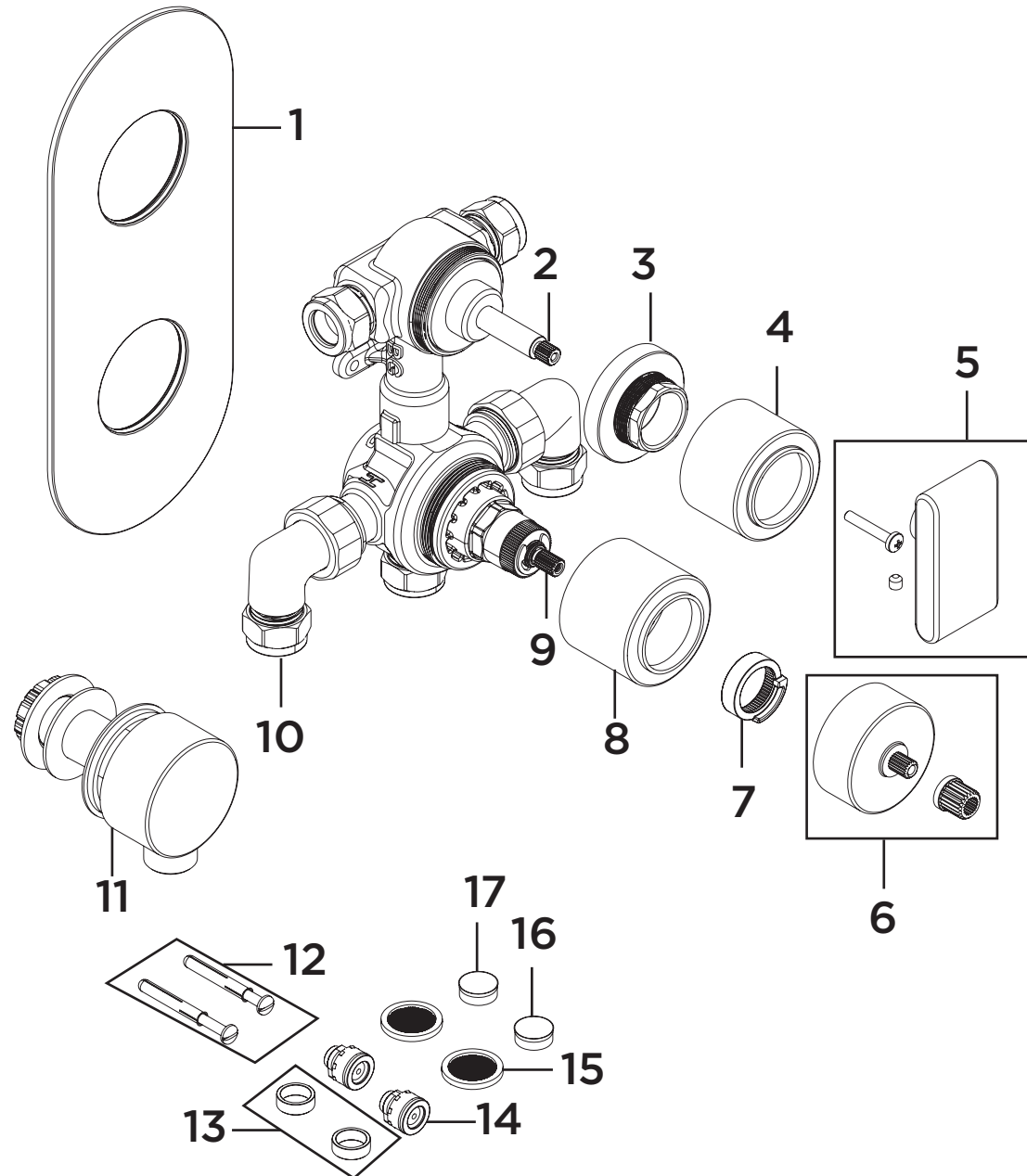


Product Code: MPIV2 SHCDIV CR

Revision: D1



1	Concealing Plate
2	Diverter Cartridge
3	Diverter Retaining Nut
4	Diverter Shroud
5	Handle Assembly
6	Handle Shroud
7	Temperature Stop
8	Temperature Control Shroud
9	35mm Thermostatic Cartridge
10	Elbow Assembly
11	Wall Outlet
12	Fixing Screws
13	Inserts (Pair)
14	Check Valve
15	Filter Washer
16	5lpm Flow Limiter
17	7lpm Flow Limiter