

# GLL PURESNK C

## GALLERY Tap Range Gallery Pure Sink Mixer with Filter Chrome



### Specification

<b>Product Type:</b>	Kitchen Taps
<b>Main Construction Material:</b>	Brass
<b>Mount Type:</b>	Deck
<b>Handle Type:</b>	Lever
<b>Connection Inlet:</b>	1/2" BSP & 3/8" Flexible Tails
<b>Connection Outlet:</b>	Integral Dual Flow Outlet
<b>Number of Tap Holes:</b>	1
<b>Valve/Cartridge Type:</b>	35mm Single Lever Cartridge
<b>Plumbing System Requirements:</b>	Suitable for high pressure systems
<b>Minimum Dynamic Pressure (bar):</b>	Mixed Water: 2 bar Filtered Water: 0.5 bar
<b>Maximum Dynamic Pressure (bar):</b>	Mixed Water: 5 bar Filtered Water: 3.5 bar
<b>Maximum Hot Water Temperature °C:</b>	65°C
<b>Maximum Static Pressure (bar):</b>	10 bar
<b>Flow Type:</b>	Dual
<b>Isolation Included:</b>	No

### Features:

- Featuring an easy to use push button that dispenses fresh filtered cold water
- Long life ceramic cartridge for added durability and ease of use
- Metal fixing nut for added durability
- Minimum working pressure of 2.0 bar
- Flexible tails included

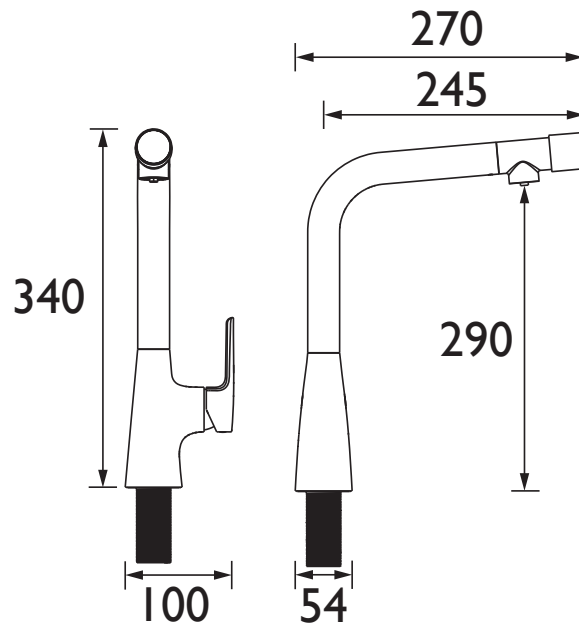
### Product Certifications:



For more products, visit our website:  
<http://www.bristan.com>



### Dimensions (measurements in mm)



### Flow Rates (l/min)

System Pressure (bar)	2	3	4	5
GLL PURESNK C (mixed)	10.5	12.9	14.9	16.7

## TECHNICAL DATA SHEET



# BRISTAN

D2