

PS2 3/4 C

PISA Tap Range Pisa 2 Bath Taps Chrome



Features:

- Long life and easy to use 1/4 turn ceramic disc valves
- Metal back nuts for added durability

Product Certifications:



WRAS Certificate No: 1711002
WRAS Expiry Date: 30/11/2022

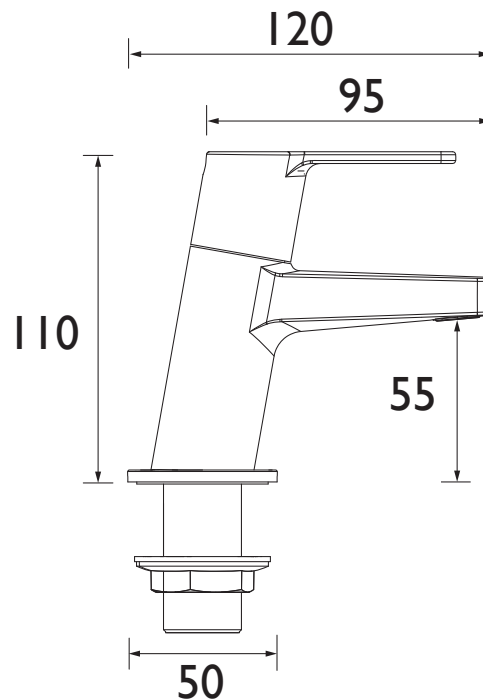
For more products, visit our website:
<http://www.bristan.com>



Specification

| | |
|--|---|
| Product Type: | Bathroom Taps |
| Main Construction Material: | Brass |
| Mount Type: | Deck |
| Handle Type: | Lever |
| Connection Inlet: | 3/4" BSP |
| Connection Outlet: | M18 Aerator |
| Number of Tap Holes: | 2 |
| Valve/Cartridge Type: | 3/4" Ceramic Disc Valve - 1/4 turn |
| Plumbing System Requirements: | Suitable for all plumbing systems, ideally balanced |
| Minimum Dynamic Pressure (bar): | 0.3 bar |
| Maximum Dynamic Pressure (bar): | 5 bar |
| Maximum Hot Water Temperature °C: | 65°C |
| Maximum Static Pressure (bar): | 10 bar |
| Isolation Included: | No |

Dimensions (measurements in mm)



Flow Rates (l/min)

| System Pressure (bar) | 0.3 | 0.5 | 1 | 2 | 3 | 5 |
|-----------------------|------|------|----|------|------|------|
| PS2 3/4 C (Cold) | 13.8 | 17.9 | 26 | 36.8 | 45 | 58.1 |
| PS2 3/4 C (Hot) | 12.8 | 17 | 24 | 34.5 | 41.6 | 53.7 |

TECHNICAL DATA SHEET



BRISTAN

D3