

PS2 1/2 C

PISA Tap Range Pisa 2 Basin Taps Chrome



Features:

- Long life and easy to use 1/4 turn ceramic disc valves
- Metal back nuts for added durability

Product Certifications:



WRAS Certificate No: 1711002
WRAS Expiry Date: 30/11/2022



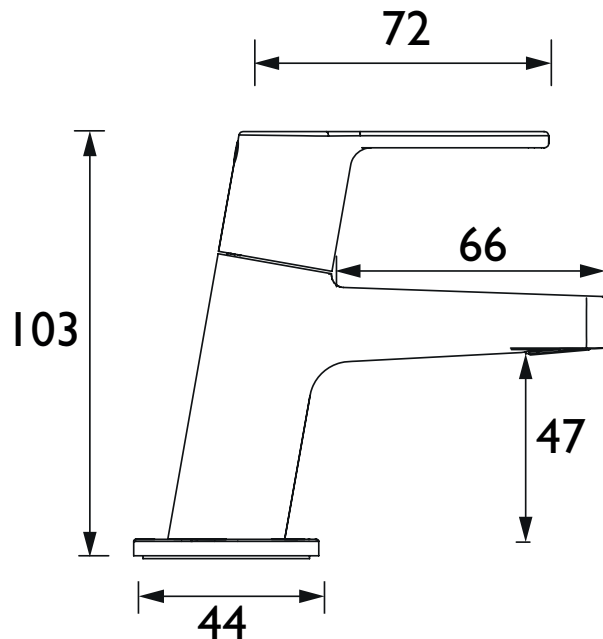
For more products, visit our website:
<http://www.bristan.com>



Specification

Product Type:	Bathroom Tap
Main Construction Material:	Brass
Mount Type:	Deck
Handle Type:	Lever
Connection Inlet:	G 1/2"
Connection Outlet:	Aerator
Number of Tap Holes:	2
Valve/Cartridge Type:	Ceramic Disc
Plumbing System Requirements:	Suitable for all plumbing systems, ideally balanced
Minimum Dynamic Pressure (bar):	0.3 bar
Maximum Dynamic Pressure (bar):	5.0 bar
Maximum Hot Water Temperature °C:	80°C
Maximum Static Pressure (bar):	10 bar
Isolation Included:	No

Dimensions (measurements in mm)



Flow Rates (l/min)

System Pressure (bar)	0.3	0.5	1	2	3	5
PS2 1/2 C (Cold)	10.4	13.5	19.1	26.9	33	42.6
PS2 1/2 C (Hot)	10.4	13.5	19.1	26.9	33	42.6

TECHNICAL DATA SHEET



BRISTAN

D3