

# MSAI BAS CR

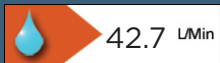
## SAIL Tap Range Metallix Sail Basin Mixer Copper Radiance



### Features:

- Long life ceramic cartridge for added durability and ease of use
- Metal fixing nut for added durability
- Flexible tails included
- Includes clicker waste

### Product Certifications:



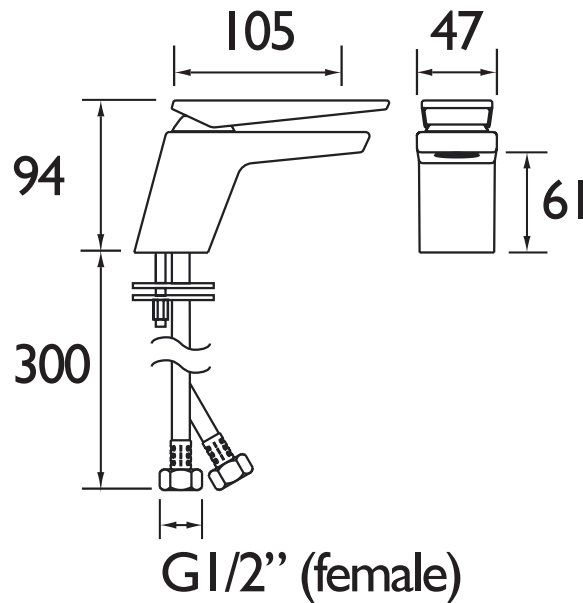
For more products, visit our website:  
<http://www.bristan.com>



### Specification

<b>Product Type:</b>	Bathroom Taps
<b>Main Construction Material:</b>	Brass
<b>Mount Type:</b>	Deck
<b>Handle Type:</b>	Lever
<b>Connection Inlet:</b>	M10 x 15mm Flexible Tails
<b>Connection Outlet:</b>	M24 Flow Limited Aerator @ 5lpm
<b>Number of Tap Holes:</b>	1
<b>Valve/Cartridge Type:</b>	35mm Cartridge
<b>Plumbing System Requirements:</b>	Suitable for all plumbing systems
<b>Working Pressure Range:</b>	Min 0.2 bar, Max 5 bar
<b>Maximum Hot Water Temperature: °C</b>	65
<b>Maximum Static Pressure: (bar)</b>	10
<b>Flow Type:</b>	Single
<b>Isolation Included:</b>	No

### Dimensions (measurements in mm)



### Flow Rates (l/min)

System Pressure (bar)	0.2	0.5	1	2	3	5
Without Fitted Flow Limiting Aerator	10.5	16.7	24.2	34.4	42.7	55
With Fitted Flow Limiting Aerator	5.5	5.5	5.5	5.5	5.5	5.5

## TECHNICAL DATA SHEET



# BRISTAN

TAPS & SHOWERS

D2