

# SOL85 W

## SOLIS Electric Shower Range Solis 8.5kw Electric Shower White



### Specification

Finish/Colour:	White
Main Construction Material:	ABS Plastic
No of Controls:	5
Control Type:	Dial & Push Button
Shower Type:	Electric Shower
Shower Head Type:	Single Functional Handset
Working Pressure Range: (bar)	Min. 0.7 Bar, Max. 10 Bar
Maximum Static Pressure: (bar)	10
Plumbing System Suitability:	Mains Cold Feed Only
Connection Inlet:	15mm Push Fit
Connection Outlet:	G 1/2"
Thermostatic:	Thermostatic
Isolation Valve Included:	No
Check Valve Included:	No
Power Rating:	8.5 kW (standard)
Phased Shutdown Feature:	Yes
Energy Rating:	<b>A</b>

### Features:

- 15mm push-fit inlet connection
- Available in 8.5kW, 9.5kW and 10.5kW power ratings @240V
- Comfortable, safe showering; the thermostatic feature avoids temperature changes when water is used elsewhere in your home
- Touch on/off control and super sleek looks.

### Product Certifications:



WRAS Cert. No.: 1806008  
WRAS Expiry Date: 30/06/2023

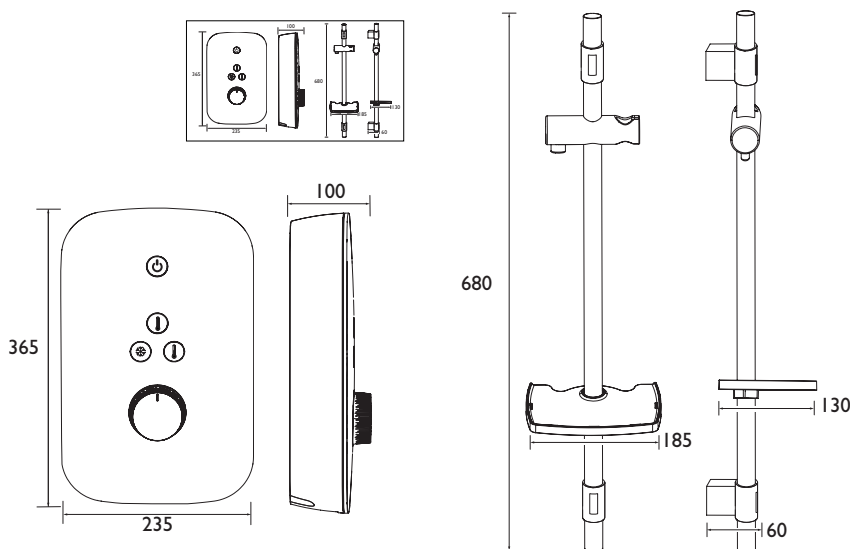
BEAB EMS Approved  
BEAB Safety Approved  
CE Approved



For more products, visit our website:  
<http://www.bristan.com>



### Dimensions (measurements in mm)



### Flow Rates (l/min)

Power	8.5kW	9.5kW	10.5kW
Flow Rate	4.5	5.1	5.6

Quoted as per European Water Label (EWL) scheme conditions:  
Output - 42°C, Input - 15°C, Voltage - 240V

## TECHNICAL DATA SHEET



# BRISTAN

TAPS & SHOWERS



