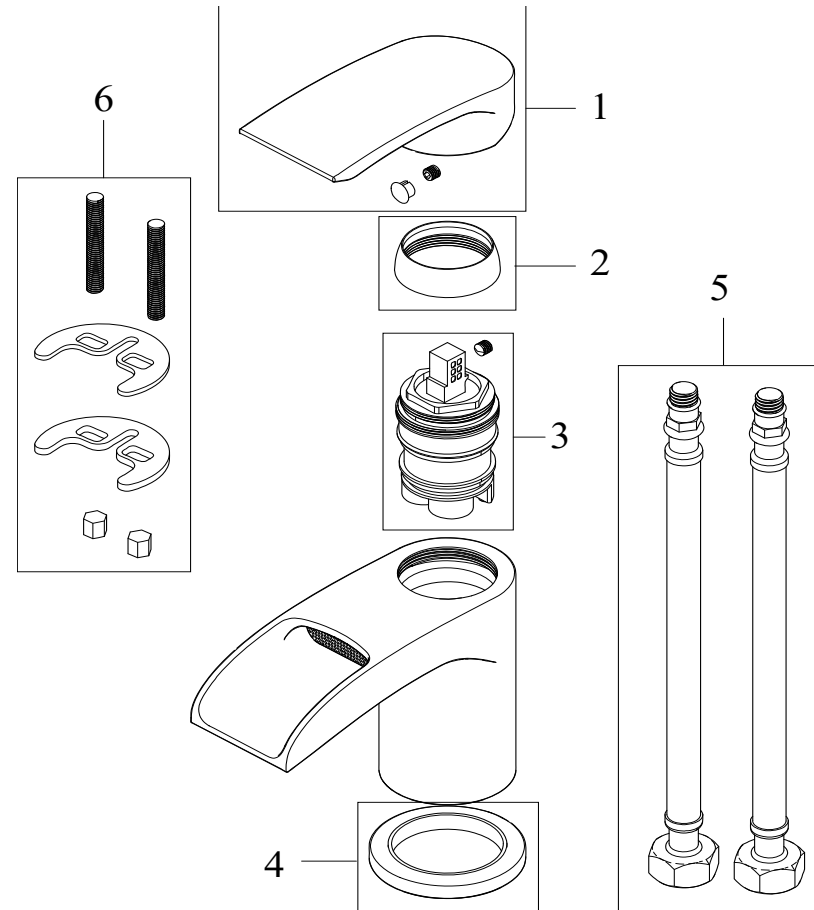


Product Code: GWF BASNW C

Revision: D1



1	Handle, grubscrew and cap
2	Shroud
3	Retaining Nut
4	Cartridge
5	C' Clamp Kit
6	Flexible Hoses