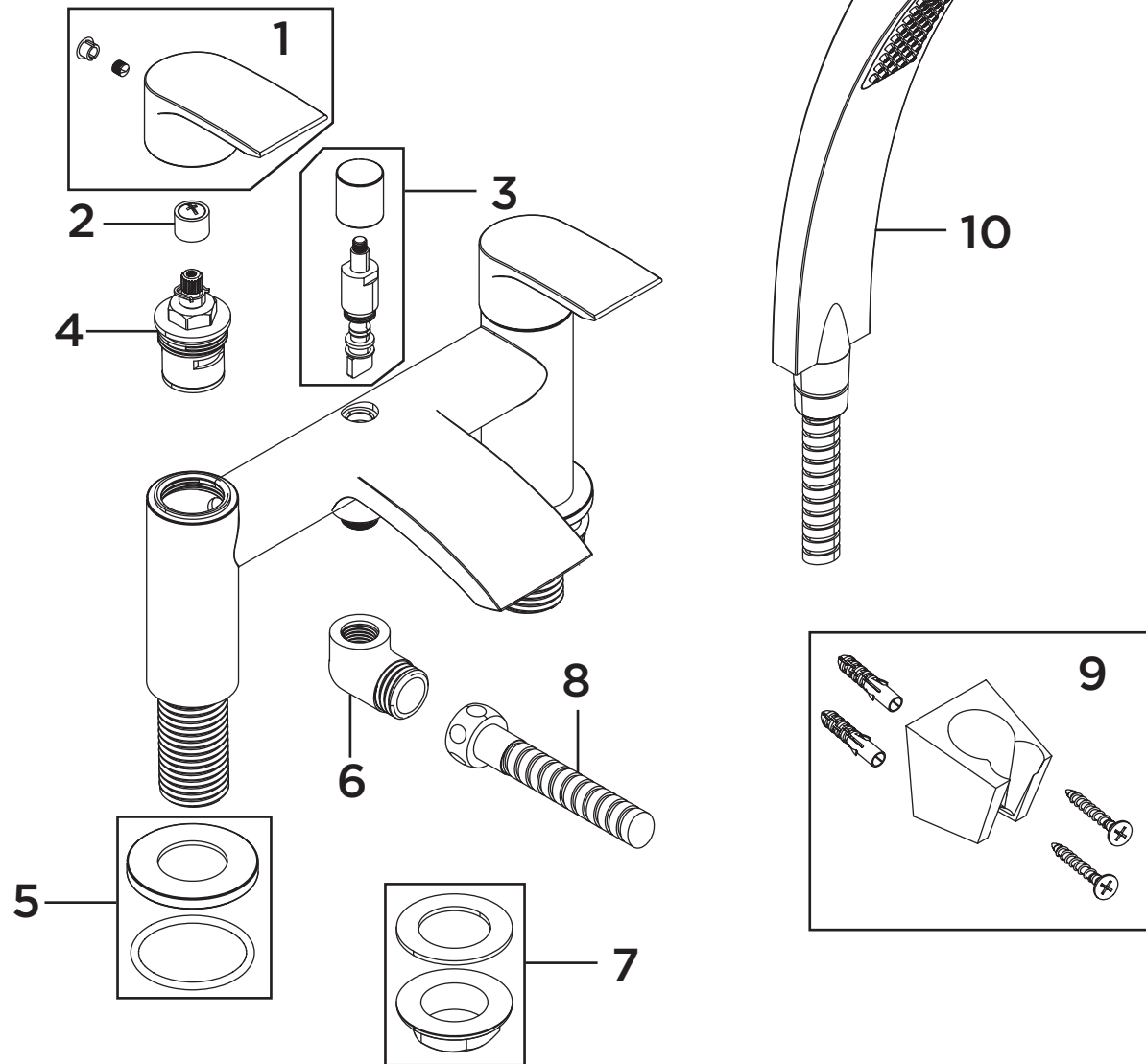


Product Code: GLD BSM C
Revision: D2



1	Handle Assembly (Pair)
2	Spline Adaptor and Screw
3	Diverter Assembly
4	3/4" Ceramic Disc Valves (Pair)
5	Plinth & O-Ring (Pair)
6	Outlet Elbow
7	3/4" Backnut & Washer (Pair)
8	1.5m Cone to Nut Hose
9	Wall Bracket Assembly
10	Single Function Handset