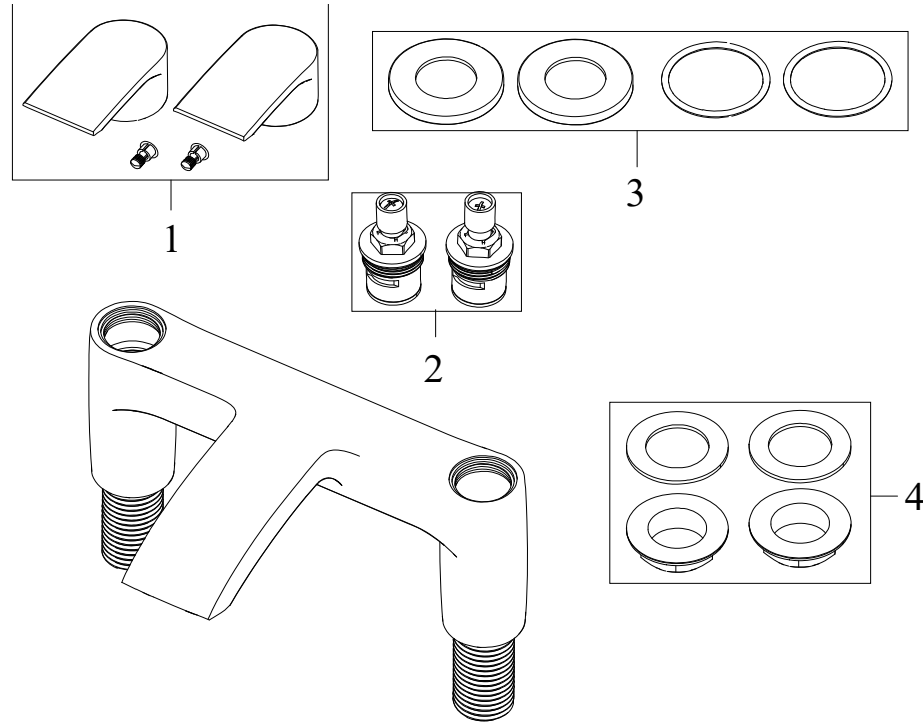


Product Code: GLD BF C

Revision: D1



1	Handles (Pair), grub screws and caps
2	Valves (Pair) including spline adapters
3	Plinth (Pair) including sealing 'O' ring
4	3/4" BSP Back Nut and Washer (Pair)