

---

# BRISTAN

TAPS & SHOWERS

## Installation Overview

### DOC M Packs

Models covered:

DOCM-T3 B, DOCM-T3 W

Please keep this booklet for future reference.

Installer, when you have read these instructions please ensure you leave them with the user.

# Contents

Thank you for choosing Bristan, the UK's leading taps and showers expert.

We have designed this product with your enjoyment and safety in mind. To ensure that it works to its full potential, it needs to be fitted correctly. These fitting instructions have been created to give you all of the information you need and, if you need any further help, please do not hesitate to contact us using the number at the bottom of this page.

Important Safety Information.....	3
General Guidelines .....	4
Installation Plan .....	5
Installation .....	6-13
WC Pan .....	6-9
Basin.....	10
Solo T3 Tap.....	11-13
Installation.....	11-12
Operation.....	12
Grab Rails .....	13
General Maintenance.....	14
Guarantee .....	14
Notes.....	15

# Important Safety Information

- Please read these instructions thoroughly and retain for future use.
- All products manufactured and supplied by Bristan are safe provided they are correctly installed, used and receive regular maintenance in accordance with these instructions.
- This product needs to be installed in accordance with, and meet the requirements of the Water Supply (Water Fittings) Regulations 1999 and Scottish Byelaws 2004.
- Remove all packaging and check the fitting for damage before starting installation.
- **Warning:** Before starting any installation please consider the following: Before drilling into walls, check that there are no hidden electrical wires, cables or water supply pipes. This can be checked with the aid of an electronic detector.
- If power tools are used do not forget to:
  - Wear eye protection
  - Unplug equipment after use
- **Important:** Remember to turn off the mains water supply before connecting to any existing pipe work. Fitting isolating valves to the inlet feeds is recommended for ease of maintenance.
- **Warning:** Before installing the new fittings it is essential that you thoroughly flush through any new and existing pipework in order to remove any remaining swarf, solder, etc. Failure to carry out this procedure could cause problems or damage to the workings of the fitting.
- Take care when handling 'flexible connecting pipes' supplied with certain taps. Do not bend, twist or crush them. Only tighten the pipes by hand.
- This product must not be modified in any way as this will invalidate the guarantee.
- If you are in any doubt about your ability to install this product safely you must employ the services of a competent person, for example, a qualified plumber with experience in installing products of this nature.

# General Guidelines

This product has been tested to the Water Regulations Advisory Scheme (WRAS) and satisfies the requirements of the Water Supply (Water Fittings) Regulations 1999 and current bylaws. For full Installation Requirements & Notes (IRN) please visit [www.wras.co.uk/directory](http://www.wras.co.uk/directory).

Designed to comply with BS EN 200 for combination taps to be used within systems designed to BS 6700.

BS 6700 recommends the temperature of stored water should never exceed 65°C. A stored water temperature of 60°C is considered sufficient to meet all normal requirements and will minimise the build up of lime scale in hard water areas.

If the fitting is installed at low pressure (tank fed), then the minimum distance from the highest installed position of the outlet to the underside of the cold tank should be at least 2 metres to ensure adequate performance.

The tap supplied with this product should be installed in compliance with the Water Regulations. Where the supplies are unbalanced, i.e. Hot water from cylinder tank / cold from the mains, approved check valves must be fitted in the supply pipes.

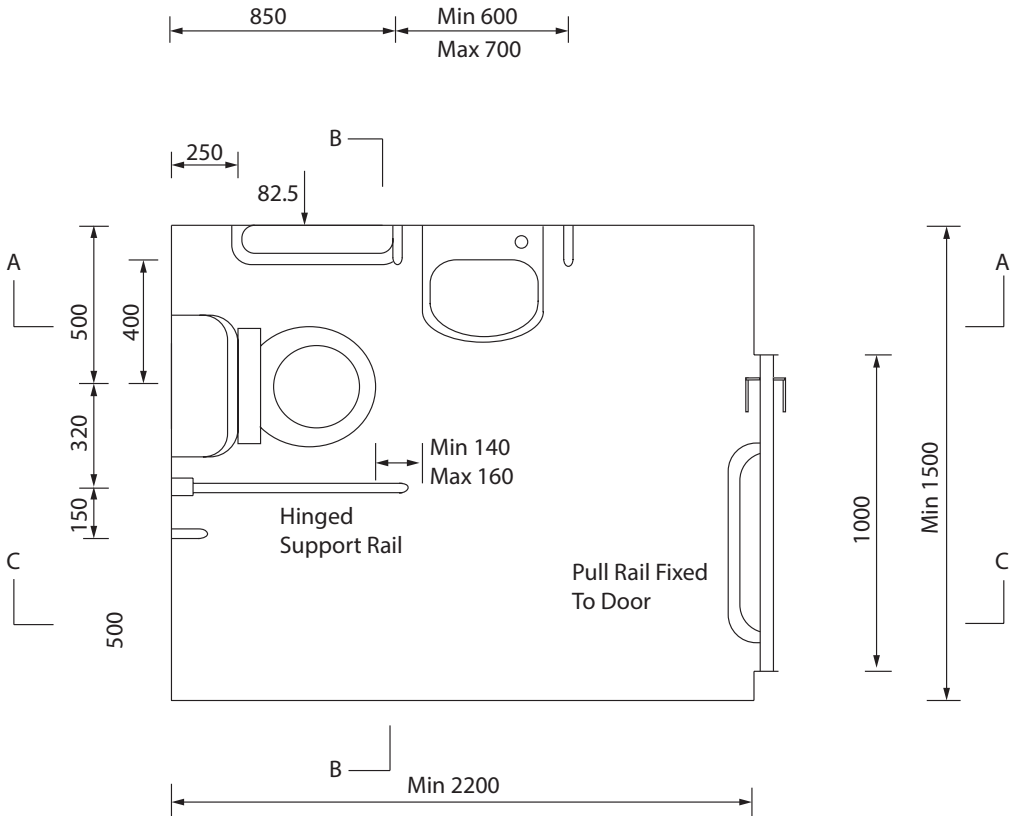
For further details contact your Local Water Authority.

When installing this product, it is expected that the first fix pipework will have been installed and the general design and accommodation will already be known.

# Installation Plan

## Standard DOC M Pack

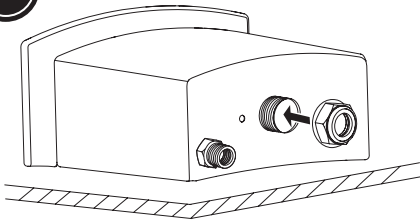
Note: Please adhere to all standard height measurements shown in the following diagram.



Dimensions are nominal and in millimetres.

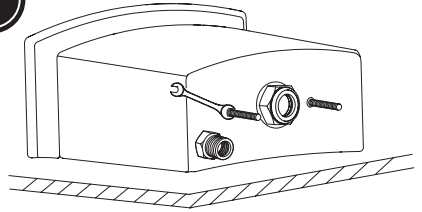
# Installation - WC Pan

1



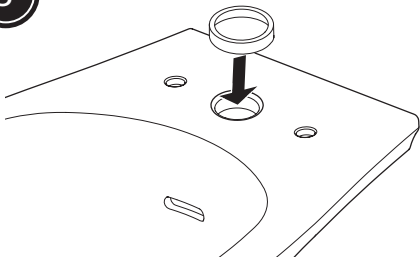
Position the cistern on its back. Assemble and insert the flush mechanism.

2



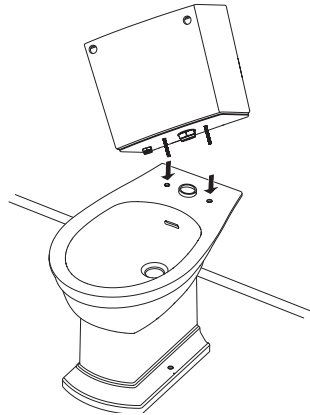
Insert fixing bolts through the holes in the cistern, using the rubber and large metal washer.

3



Place the large rubber gasket into the flush entrance of the pan.

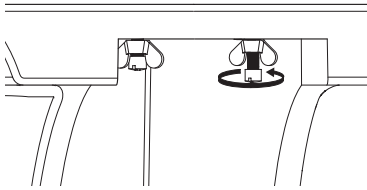
4



Lift the cistern onto the pan so the connecting bolt fit through the holes.

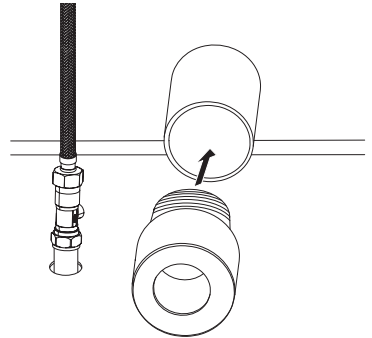
# Installation - WC Pan

5



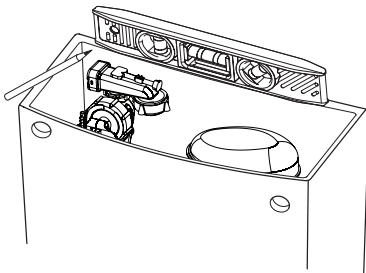
Fit the washers and wing nuts to the underside of the cistern and tighten the nuts.

6



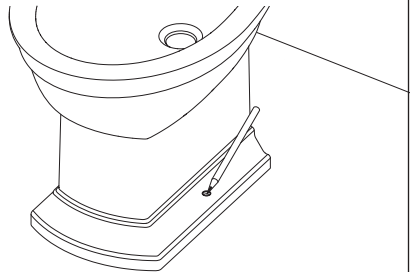
Insert a pan connector into the waste pipe.

7



Ensure the cistern is level by placing spirit level along the back against the wall. Mark off the fixing holes through the back of the cistern.

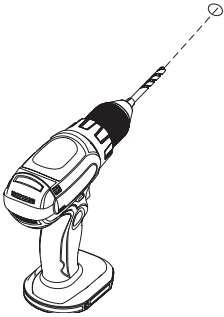
8



Draw a line around the base of the pan to clearly mark the position and mark the position of the screw holes.

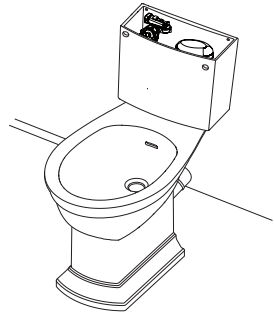
# Installation - WC Pan

9



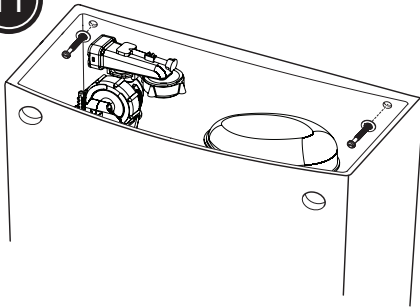
Drill fixing holes for cisten/pan through the marks on the wall/floor. Use wall plugs according to wall/ floor surface.

10



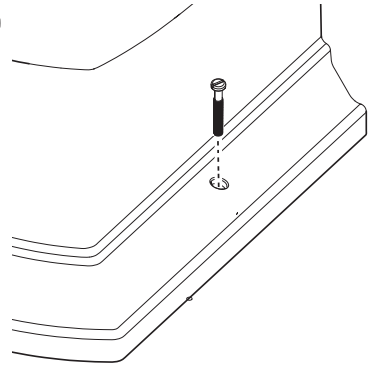
Return the pan to the desired location, make the plumbing connections and ensure that they are water tight. Ensure the pipework is flushed prior to connecting the cistern.

11



Fix the cistern to the wall with screws and washers (not supplied). Ensure the cistern is not pulled backwards, as the seal with the pan might broke.

12

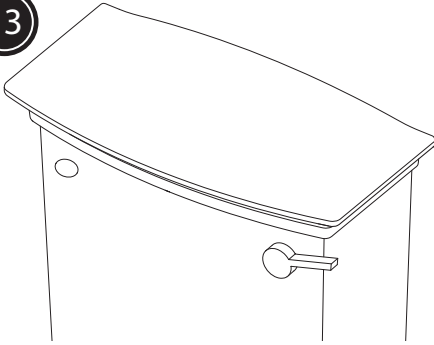


Insert screws at the base of the toilet to fix the pan to the floor using the washers provided. Do not overtighten.



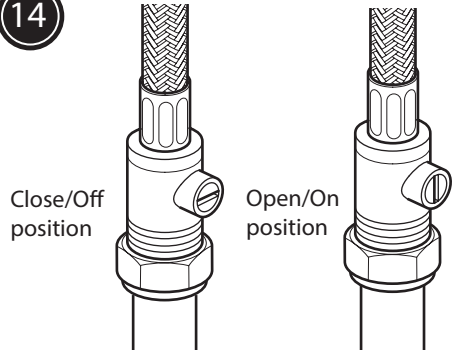
# Installation - WC Pan

13



Fit the lever and place the lid onto the cistern, use cistern blanking plug to cover unuse hole.

14



Close/Off position

Open/On position

Connect the cold water supply. Turn on water supply at the isolation valve and check for leaks.

Flush Type: Single Flush

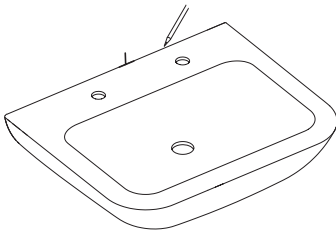
Flush Volume: 6 Ltr.

Cistern Capacity: 6Ltr. Single Flush

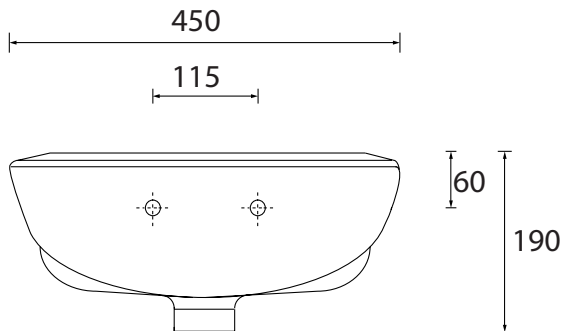
# Installation - Basin

- Consider and plan the design and accomodation of your DOC-M suite around the layout of your waste system and suitability of future access.
- Use suitable wall fixings for your wall construction.
- Do not overtighten wall fixings, taps or wastes onto ceramic surfaces.
- Use a non-permanent marker or pencil for marking.

## Standard Pedestal Installation

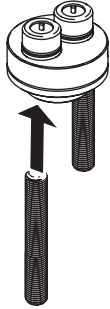


1. Decide on the final position of the basin. Install suitable bottons onto the wall cavity to support the weight of the basin if required.
2. Mark the position of the basin and the centre of the basin.
3. Mark the position of the fixing holes.
4. Drill holes using suitable drill and insert wall fixings.
5. Use suitable screws to secure basin to the wall.
6. Fit the basin mixer and use blanking plug to cover unused holes in a basin.



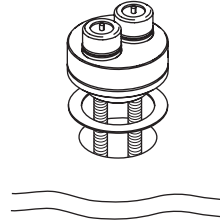
# Installation - Solo T3 Tap

1



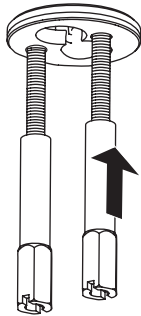
Screw the fixing rods into the bottom of the fixing base.

2



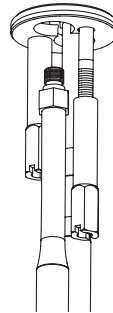
Position the fixing base into the hole in the basin ensuring the rubber washer is fitted between the fixing base and the basin.

3



Slide the metal plate onto the threaded rods under the basin and secure the fixing base to the basin by tightening the fixing nuts onto the fixing rods. Ensure the fixing nuts are tightened fully by using a suitable spanner.

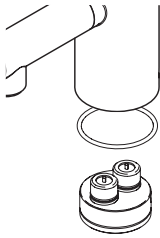
4



Screw the copper connecting pipes into the bottom of the fixing base by hand only (DO NOT OVERTIGHTEN). Connect the copper connecting pipes to the water supplies. Do not turn the water supplies on.

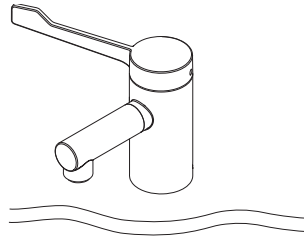
## Installation - Solo T3 Tap

5



Push the mixer body onto the fixing base ensuring the rubber 'O' ring is fitted into the groove in the bottom of the mixer body. Ensure the mixer body is fitted correctly and tighten the grub screws fully to secure the mixer body in position.

6



Turn on both water supplies, operate the handle in both hot and cold positions, letting the water flow for a few minutes to flush through the system. Check all joints and connections for any leaks.

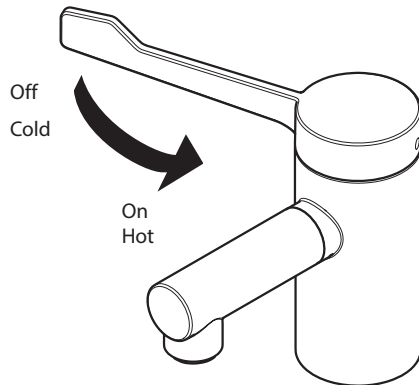
## Operation - Solo T3 Tap

### On / Off and Temperature Control

Turn the lever anti-clockwise to turn on the flow of water.

The water temperature will increase the further the lever is turned.

To decrease the temperature of water turn the lever back clockwise.



# Installation - Grab Rails

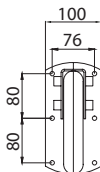
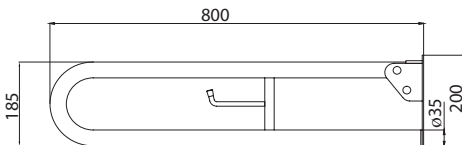
Warning: Before fitting, ensure that there are no concealed electrical cables or pipes where the fixing holes are to be drilled. This can be checked using electronic detecting tool. If installing a metallic rail in a bath/shower area the rail may need to be earthed (IEE wiring regulations); not all rails are suitable for use in a wet area.

1. Ensure the wall and fixings being used are suitable. Bristan are unable to specify fixings due to the number of fixing/wall type combinations.
2. Position the Support Rail on the wall in a horizontal position.
3. Drill the holes to the correct depth for the wall and fixing type used.
4. Ensure the Support Rail is securely fastened to the wall and fit the flange covers to conceal the fixings.

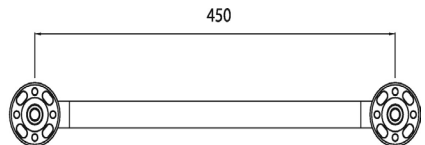
If in doubt about anything on this sheet consult a suitably qualified professional with experience in fitting products of this nature.

## Using the Support Rail

- Before first use, check that the Support Rail is securely fixed to the wall.
- Use the Support Rail to assist, NEVER apply full weight to the product.
- Regularly clean the Support Rail with a non-abrasive cleaner.
- All fixings and bolts should be checked on a regular basis by a competent person.



Hinged grab rail (Dimension in mm)



Grab rail (Dimension in mm)

# General Maintenance

## WC Maintenance

Once installed, flush the toilet 2 or 3 times to ensure it is functioning correctly and check all supply and waste connections for leaks.

If the toilet fails to remove solids please check the following :

You are pressing the correct button.

The valve has been set correctly

There is no obstruction in the WC outlet or in the connecting soil pipe.

Clean the exterior of your WC suite with hot soapy water and a cloth.

## Basin Maintenance

Clean the surfaces of the Basin with hot soapy water and a cloth.

## Solo T3 Maintenance

Clean the surfaces of the tap with hot soapy water and a cloth.

## Support/Grab Rail Maintenance

Clean the surfaces of the rails with hot soapy water and a cloth.

Note: For any other maintenance information, consult the individual instructions with each product or contact Bristan on the number at the bottom of this page,

# Guarantee

At Bristan, we want to make things as easy as possible for our customers. That's why we design products that are easy to fit and use, and that are quality tested to make sure they won't let you down. And our solid product guarantees mean you can have peace of mind that in the unlikely event something goes wrong it will be sorted easily for you with the minimum of hassle.

For full guarantee term and conditions please visit [www.bristan.com/guarantees](http://www.bristan.com/guarantees)

# Notes

Please use this space to add any notes you or your installer may have regarding the pumbing system / installation of this product.

Part Numbers: DOCM-T3
Issue: D2

# BRISTAN

Bristan Group Ltd.  
Birch Coppice Business Park  
Dordon  
Tamworth  
Staffordshire  
B78 1SG  
Web: <http://www.bristan.com>  
Email: [enquire@bristan.com](mailto:enquire@bristan.com)

A Masco Company

Useful contact details:

Customer Service:  
0844 7016273

Customer Service Email:  
[Customercare@bristan.com](mailto:Customercare@bristan.com)

Customer Service Fax:  
0844 7016275

Reception:  
0844 7016274

Join us on...

