

SOLO-NM LL

SOLO Tap Range Solo Non-Thermostatic Health-care Tap with Long Lever Handle



Specification

Style:	Contemporary
Product Type:	Commercial
Main Construction Material:	Brass
Mount Type:	Deck Mounted
Handle Type:	Lever
Connection Inlet:	15mm Compression
Connection Outlet:	M24 Flow Straightener
Number of Tap Holes:	1
Valve/Cartridge Type:	35mm Cartridge
Plumbing System Requirements:	All
Working Pressure Range:	Min 0.5 Bar, Max 5.0 Bar
Maximum Hot Water Temperature: °C	80
Maximum Dynamic Pressure: (bar)	5
Maximum Static Pressure: (bar)	10
Flow Type:	Single Flow
Flow Rate: (l/min @ 3 bar)	5.3
Isolation Included:	No

Features:

- Pressure balancing basin mixer tap with long lever handle
- Maximum temperature stop is adjustable for user safety and comfort
- Removable spout to aid infection control regimes
- A choice of fully draining or laminar flow outlets supplied
- Smooth machined internal waterways to help limit the build-up of bacteria within the tap body

Product Certifications:



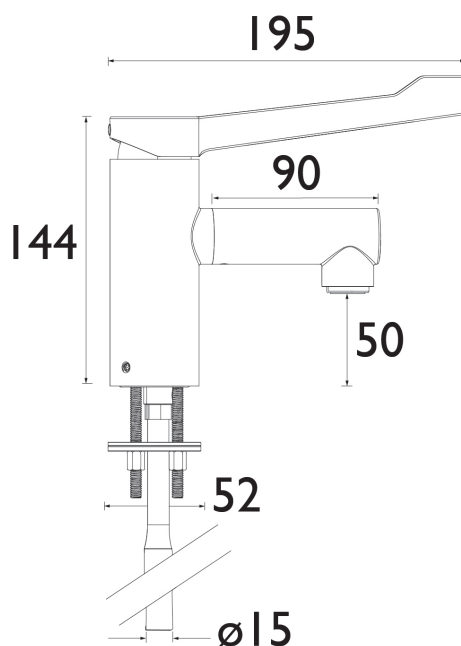
WRAS Certificate No: 1711006

WRAS Expiry Date: 30/11/2022

For more products, visit our website:
<http://www.bristan.com>



Dimensions (measurements in mm)



Flow Rates (l/min)

System Pressure (bar)	0.5	1	2	3	5
SOLO-NM LL	3.5	4.5	5.1	5.3	6.8

TECHNICAL
DATA
SHEET



BRISTAN

D3