

TFP3005IR

COMMERCIAL Shower Range S/S Thermostatic Timed Flow Infrared Shower Panel with VR Head



Specification

Style:	Commercial
Finish/Colour:	Stainless Steel
Main Construction Material:	Stainless SteelX
No of Controls:	1
Shower Type:	Infrared Thermostatic Timed Flow
Shower Head Type:	Anti-tamper
Maximum Hot Water Supply Temperature °C:	65
Dynamic Pressure Range: (bar)	Min. 0.5 Bar - Max. 5.0 Bar
Maximum Static Pressure: (bar)	10
Plumbing System Suitability:	All plumbing systems
Flow Type:	—
Connection Inlet:	15mm Compression
Isolation Valve Included:	No
Check Valve Included:	No

Features:

- Integral thermostatic valve reduces deadleg and risk of legionella
- Simple remote control setting of all parameters during commissioning and servicing
- Automatic programmable duty-flush
- Water saving programmable timed-flow
- Anti-Microbial coating on surfaces for infection control

Product Certifications:



Expiry: 30/09/2022
Certification N°: 1709057

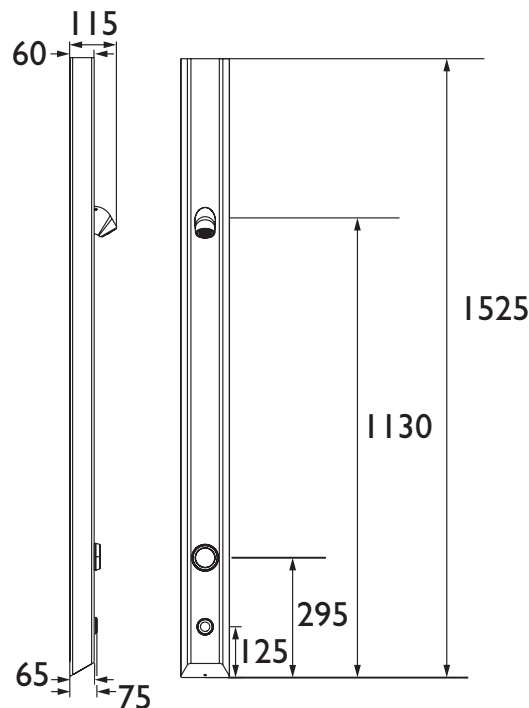


Submission: 22/05/2017
Submission N°: NSF 1893

For more products, visit our website:
<http://www.bristan.com>



Dimensions (measurements in mm)



Flow Rates (l/min)

System Pressure (bar)	0.5	1	2	3	5
TFP3005IR (With flow restrictors)	4.40	7.00	9.20	9.70	9.70
TFP3005IR (Without flow restrictors)	6.5	10.7	16.5	20.8	26.85

TECHNICAL DATA SHEET



BRISTAN

TAPS & SHOWERS

D1