

# IRBS4-BN

## COMMERCIAL Tap Range Infrared Temperature Control Automatic Basin Spout Brushed Nickel



Chrome Pictured

### Features:

- Using non-touch controls they are operated with infrared technology.
- Bristan's automatic basin taps are great in supporting infection control measures.
- Ability to set temperature for user comfort.
- Mains or battery powered options.
- Automatic switch off supports water saving.
- Can be used in a BREEAM assessed building.

### Product Certifications:



WRAS Certificate No: 2003398  
WRAS Expiry Date: 31/03/2025



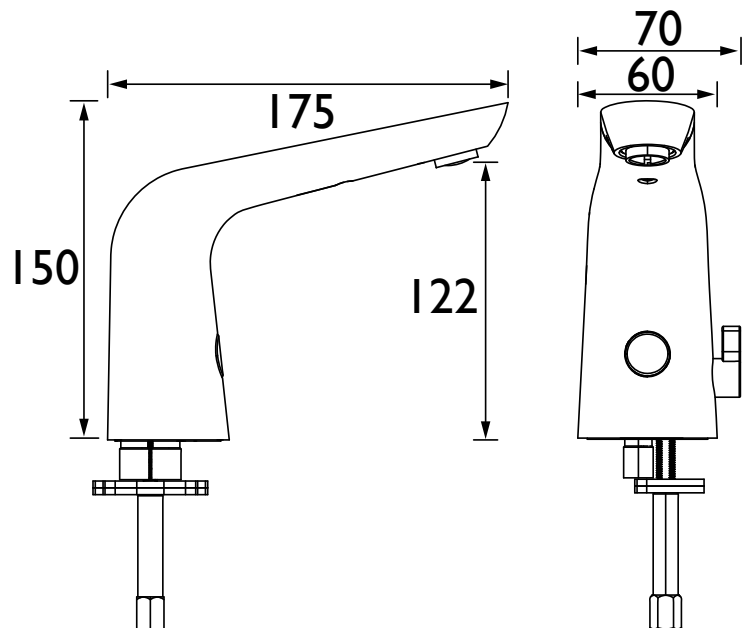
For more products, visit our website:  
<http://www.bristan.com>



### Specification

Product Type:	Commercial
Main Construction Material:	Brass
Mount Type:	Deck
Handle Type:	Infra-Red
Connection Inlet:	G 1/2"
Connection Outlet:	Aerator
Number of Tap Holes:	1
Valve/Cartridge Type:	Solenoid Valve
Plumbing System Requirements:	Suitable for high pressure systems
Minimum Dynamic Pressure (bar):	1 bar
Maximum Dynamic Pressure (bar):	5 bar
Maximum Hot Water Temperature °C:	60°C
Maximum Static Pressure (bar):	10 bar
Flow Type:	Single
Isolation Included:	No

### Dimensions (measurements in mm)



### Flow Rates (l/min)

System Pressure (bar)	1	2	3	5
IRBS4-BN	3.3	5.1	5.2	5.1

TECHNICAL  
DATA  
SHEET



**BRISTAN**