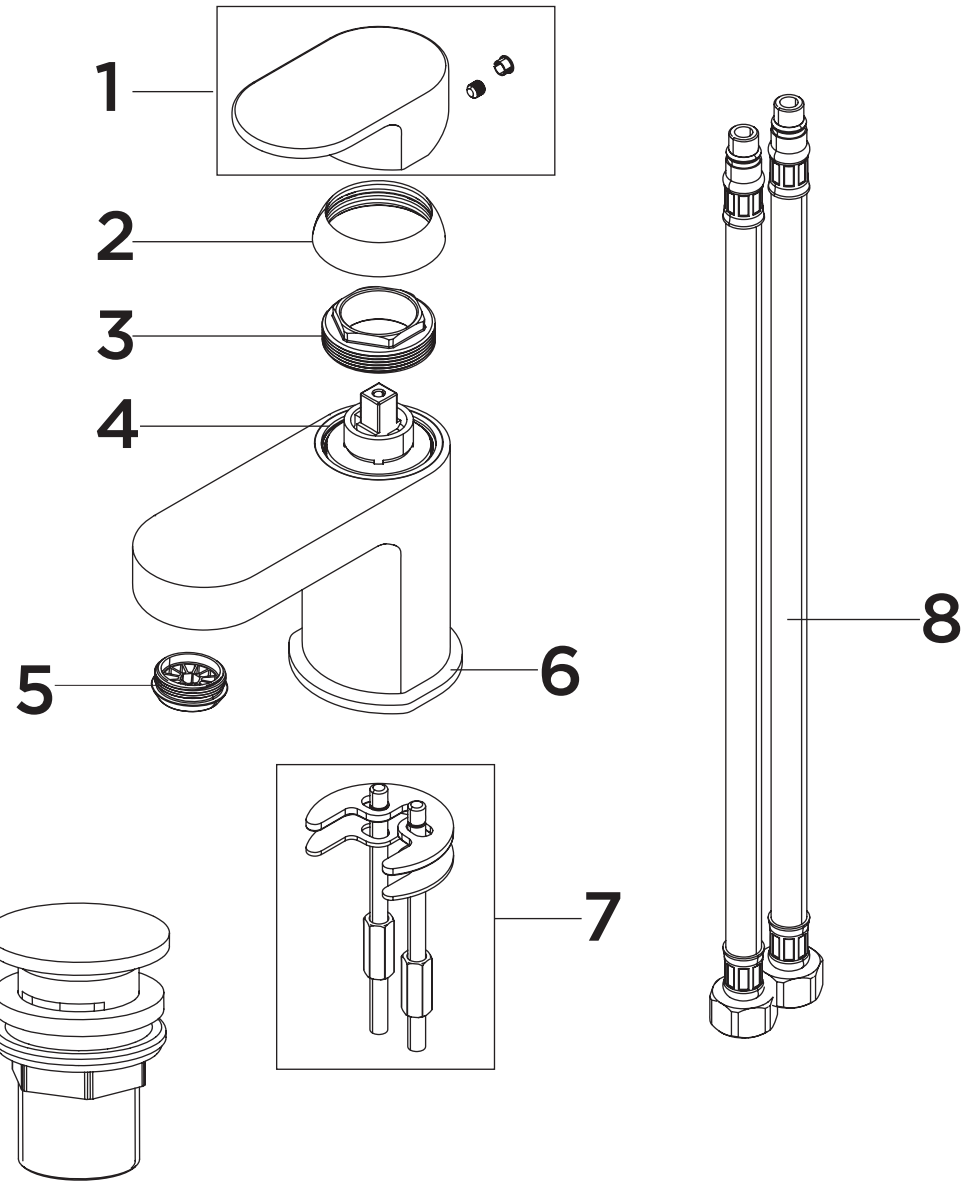


Product Code: FRZ BAS C

Revision: D3



| | |
|---|---------------------------------|
| 1 | Handle Assembly |
| 2 | Shroud |
| 3 | Cartridge Lock Nut |
| 4 | 35mm Upper Seal Cartridge |
| 5 | 5lpm Flow Limited Aerator |
| 6 | Plinth |
| 7 | Fixing Kit |
| 8 | M10 x 500mm 1/2 BSP Flexi Tails |
| 9 | Round Clicker Basin Waste |