

TECHNICAL DATA SHEET

CASCADE

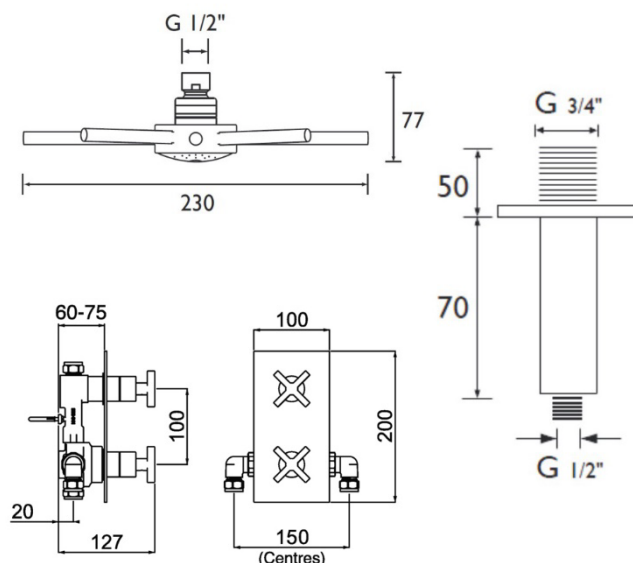
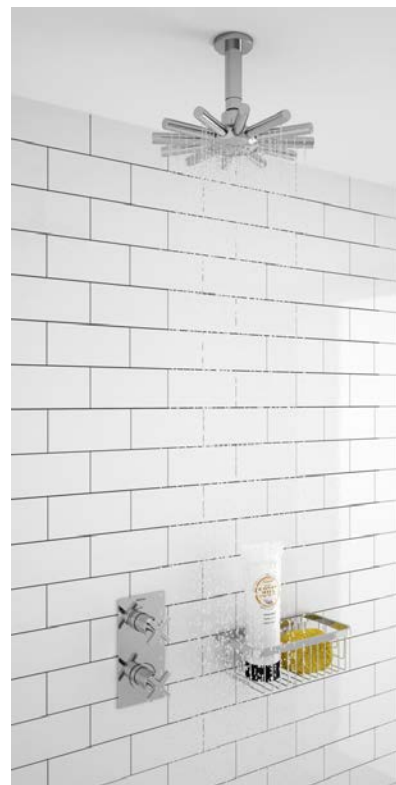
Shower Pack with Star Fixed Head

Product Specification

Product Code:	CASCADE SHWR PK
Finish:	Chrome
Product Type:	Contemporary
Construction:	Body is of brass construction
Cartridge Type:	Thermostatic Cartridge
Supply:	Suitable for all plumbing conditions, preferably balanced.
Inlet Connections:	15mm Compression connections
Working Pressures:	Min 0.2bar, Max 5.0 Bar
Cavity Depth:	58-75mm
Dimensions for Fitting:	200 (H) mm, 150 (W) mm, 230 (D) mm

Additional Information

- This stand-out shower pack includes –
- Our Cascade shower valve with twin stopcocks
- A star-shaped, 230mm fixed head
- A ceiling fed shower arm
- Chrome Plated to BS EN 248
- Requires rear access to enable service to filters
- Cartridge can be accessed from the front



Flow Rates (litres per minute)

System Pressure	0.2bar	0.5bar	1.0bar	2.0bar	3.0bar	5.0bar
CAS SHCVO C –Outlet 1	9.39	14.85	21	29.7	36.37	46.96

Technical Advice: For further information please call 0844 7016273 or email customer@bristan.com

Guarantee: 5 years covering manufacturing faults.

Bristan, Birch Coppice Business Park, Dordon, Tamworth, B78 1SG
 Telephone: 0844 701 6274 Facsimile: 0844 701 6275
 Web Site: www.bristan.com Email: enquire@bristan.com



The information contained on this page was correct at date of issue. Fitting dimensions are provided as a guide only. Some variation may occur due to manufacturing tolerances. Bristan pursues a policy of continuing improvement in design and performance of its products and so reserves the right to change specifications without prior notice.