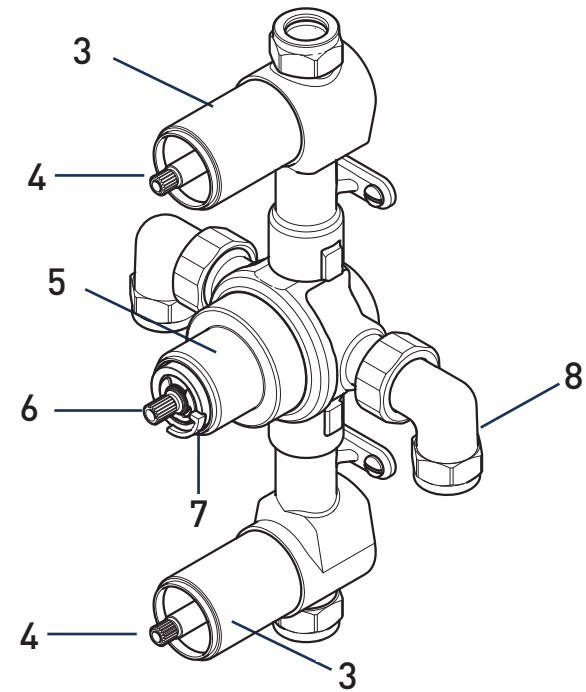
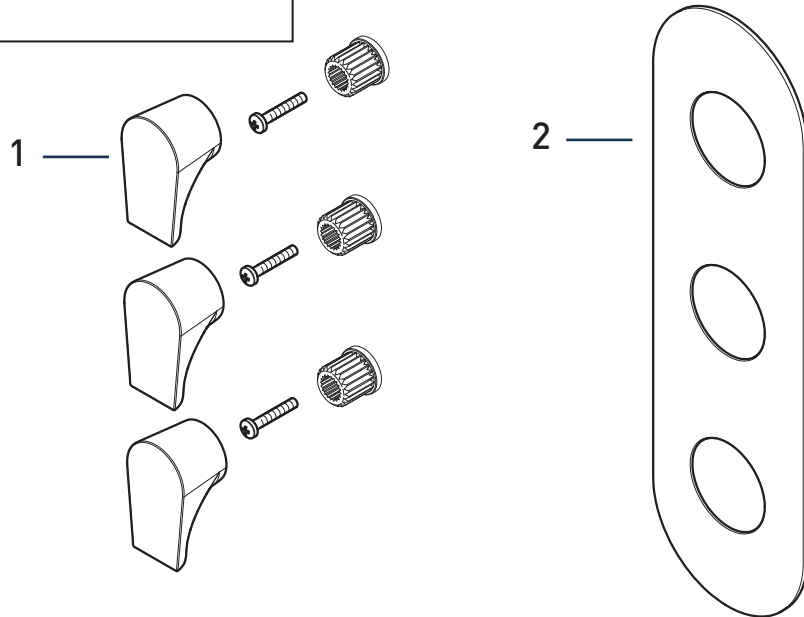


Product Code: HOU SHC3STP C

Revision: D2



1	Flow Handle Assembly
2	Concealing Plate
3	Valve Shroud
4	Valve
5	Temperature Shroud
6	Thermostatic Cartridge
7	Temperature Stop
8	Elbow Assey (Pair)
9	Fixings
10	Wall Outlet
11	Filter Washers
12	Flow Regulator
13	Flow Regulator
14	Inserts

