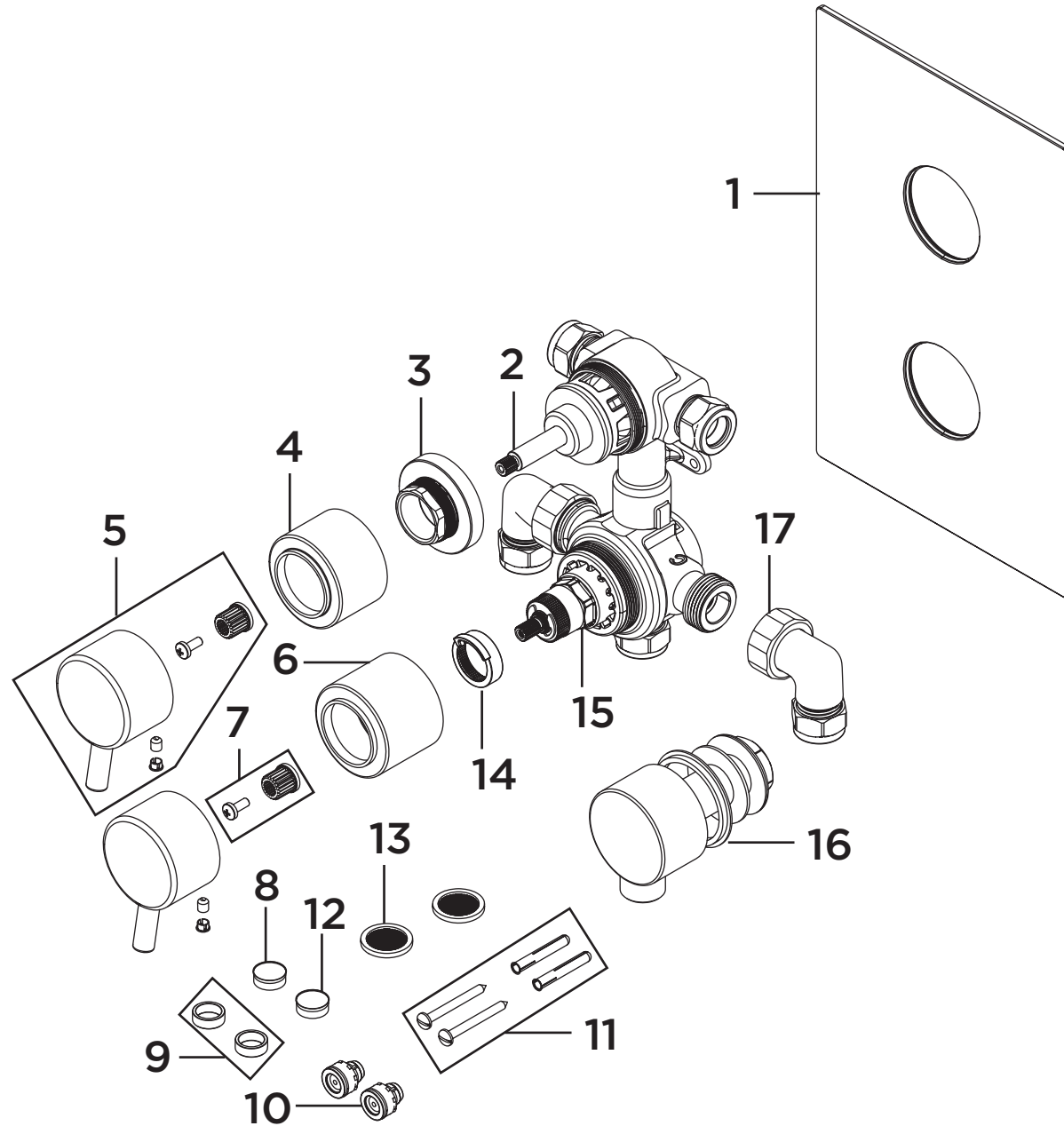
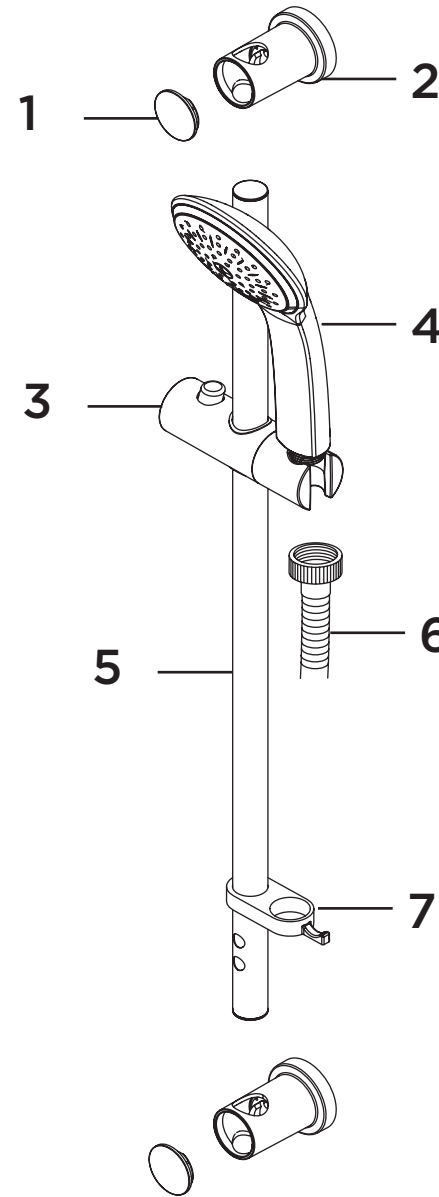


Product Code: PM2 SHCDIV RANGE

Revision: D5

1	Concealing Plate
2	40mm Diverter Cartridge
3	Diverter Retaining Nut
4	Diverter Shroud
5	Handle Assembly inc. Spline Adaptor
6	Temperature Shroud
7	Spline Adaptor
8	5lpm Flow Limiter
9	Inserts (Pair)
10	1/2" Check Valve
11	Screw Pack
12	7lpm Flow Limiter
13	Filter Washer
14	Temperature Stop
15	Thermostatic Cartridge
16	Wall Outlet
17	Elbow Assembly



Product Code: CAS KIT02 C**Revision:** D2

1	Bracket Cap (Pair)
2	Wall Bracket (Pair)
3	Slider Bracket
4	Handset
5	Riser Rail
6	Hose
7	Hose Retainer