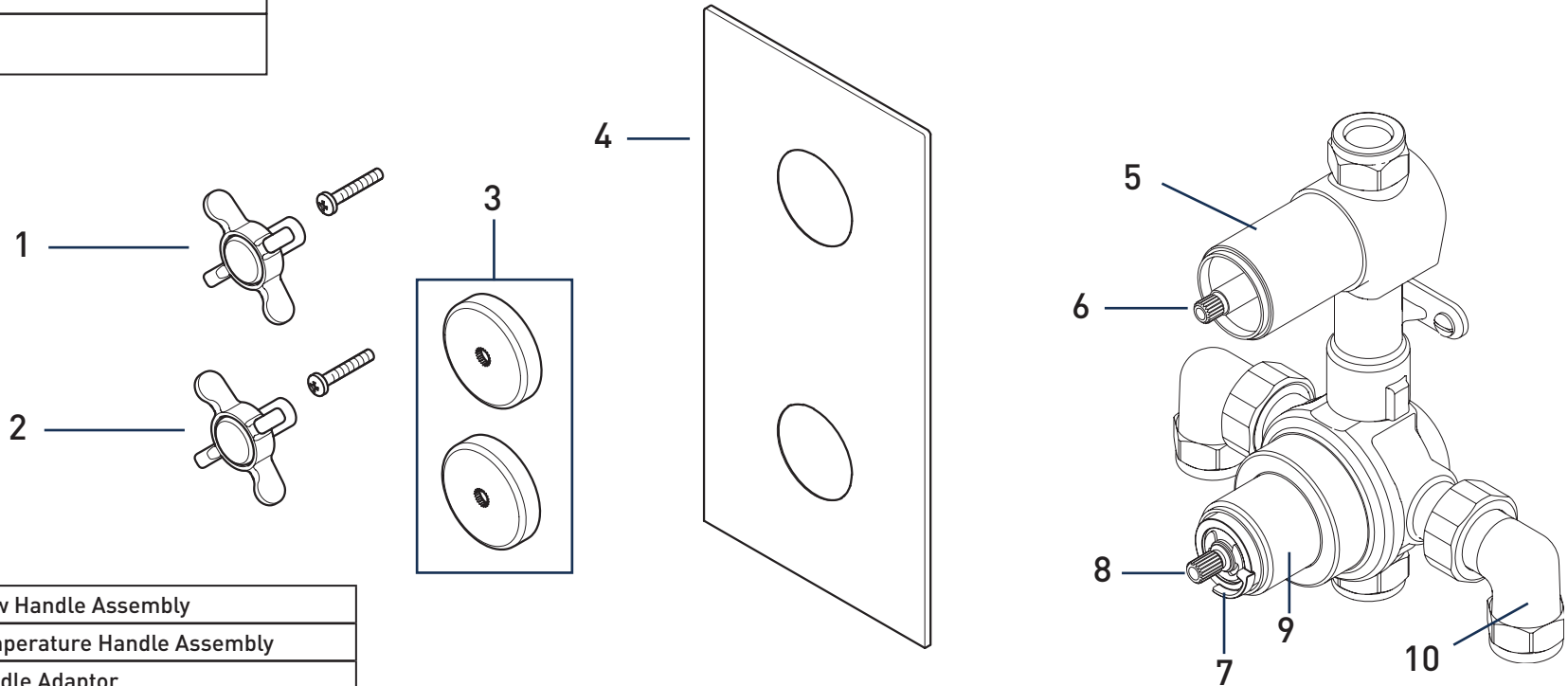
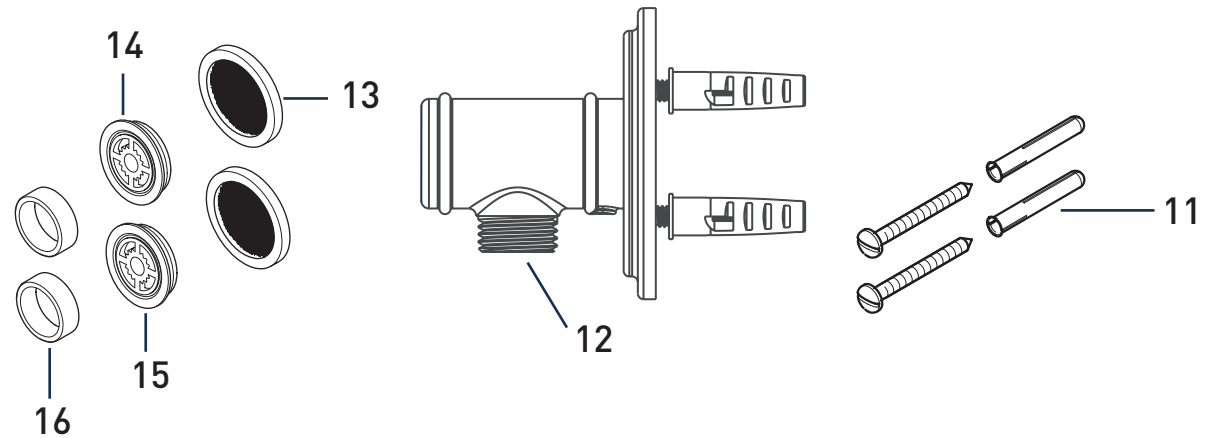


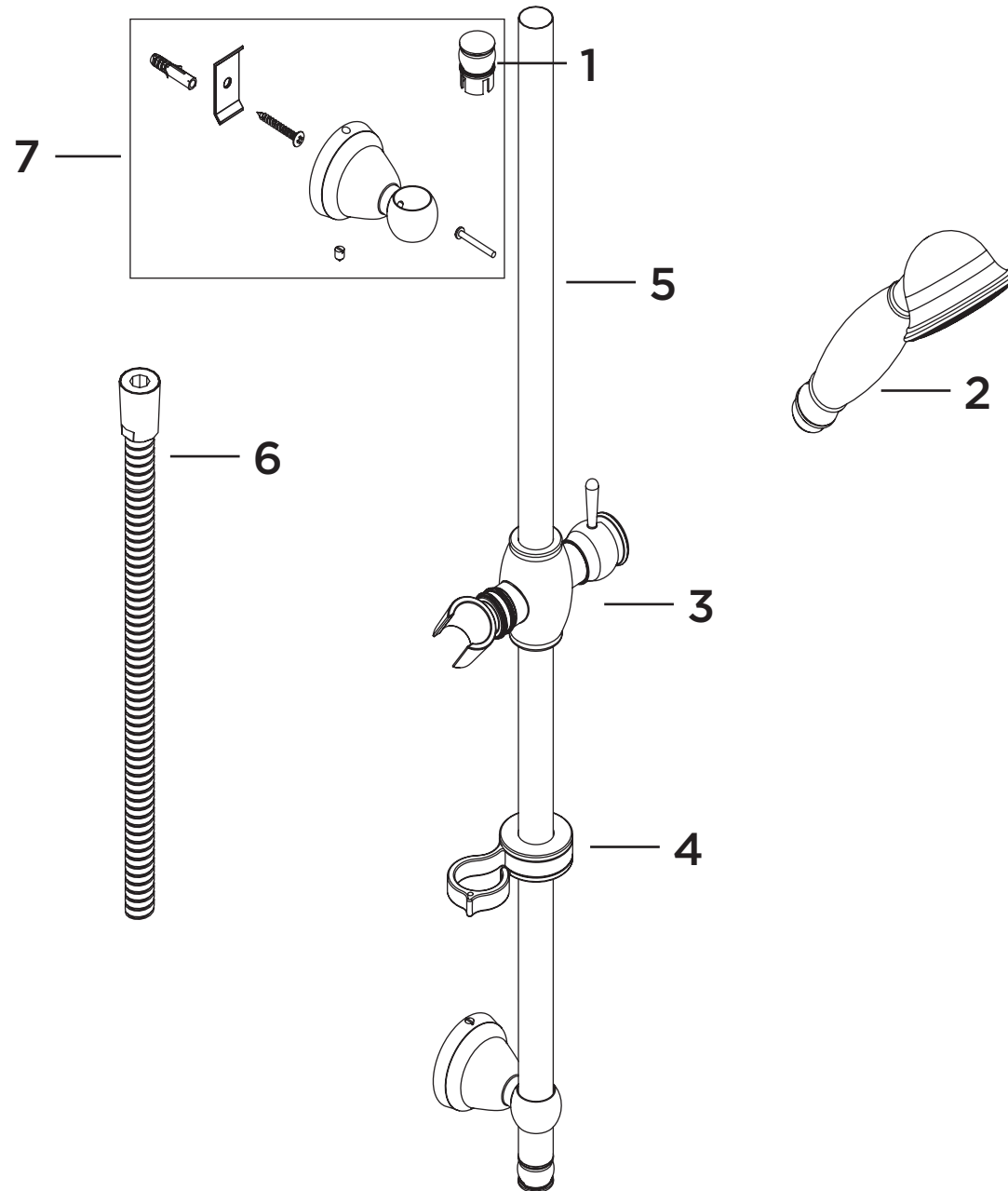
Product Code: N2 SHCVO C / G

Revision: D5



1	Flow Handle Assembly
2	Temperature Handle Assembly
3	Handle Adaptor
4	Concealing Plate
5	Flow Shroud
6	Flow Valve
7	Temperature Stop
8	Thermostatic Cartridge
9	Temperature Shroud
10	Elbow Assey (Pair)
11	Fixings
12	Wall Outlet
13	Filter Washers
14	Flow Regulator
15	Flow Regulator
16	Inserts



**Product Code:** KIT106 C**Revision:** D2

1	Riser Rail Cap
2	Single Function Handset
3	Handset Slider
4	Hose Retainer
5	Riser Rail
6	Hose
7	Bracket and Fixing