

# 1901 SHWR PK

# 1901 Shower Range

Complete 1901 Shower Pack



## Specification

Finish/Colour:	Chrome Plated
Main Construction Material:	Brass
No of Controls:	2
Shower Type:	Recessed
Shower Head Type:	Handset
Valve/Cartridge Type:	Thermostatic Cartridge
Maximum Hot Water Supply Temperature °C:	80
Maximum Static Pressure: (bar)	10
Plumbing System Suitability:	Suitable for all plumbing systems
Minimum Dynamic Pressure:	Min: 0.2 bar, Max: 5.0 bar
Connection Inlet:	15mm Compression
Connection Outlet:	G 1/2"
Isolation Valve Included:	No
Check Valve Included:	Yes

## Features:

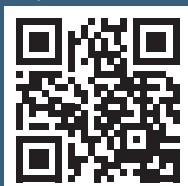
- This Timeless shower pack contains our longest established 1901 range shower valve with a single outlet valve. It has a traditional adjustable riser shower kit with a single function handset and hose.
- Dual control - flow and temperature are controlled separately
- Fully serviceable from the front
- 15mm inlet connections
- Wall outlet designed with Bristan's Wall Mount Technology for easier installation

## Product Certifications:

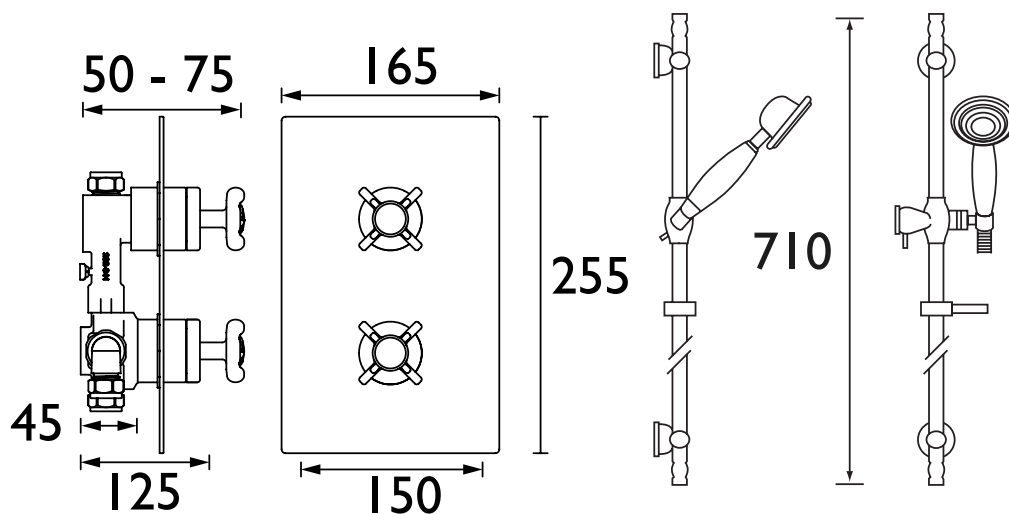


36.37 L/Min

For more products, visit our website:  
<http://www.bristan.com>



## Dimensions (measurements in mm)



## Flow Rates (l/min)

System Pressure (bar)	0.2	0.5	1	2	3	5
Through Handset (mixed)	9.39	14.85	21	29.7	36.37	46.96

TECHNICAL  
DATA  
SHEET



**BRISTAN**

D4