

# FH TDRD02 G

## Accessories Traditional 200mm Round Fixed Head Gold



### Features:

- Complete with swivel joint for angle adjustment

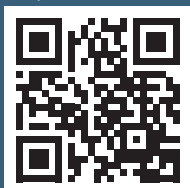
### Product Certifications:



WRAS Certificate No: 2007910  
WRAS Expiry Date: 31/07/2025



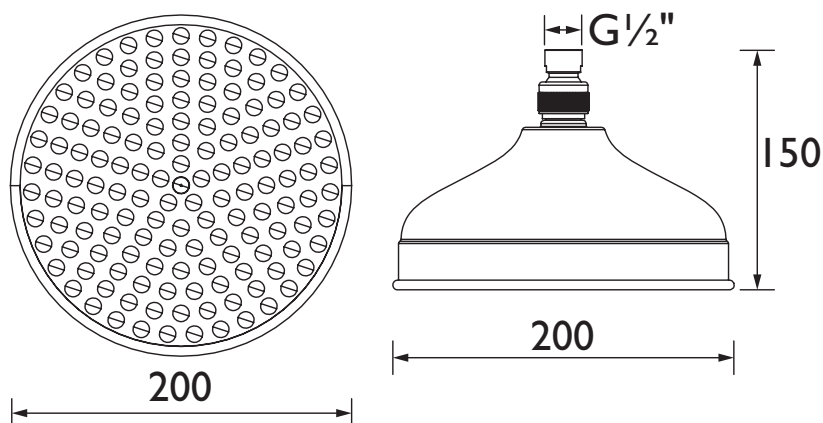
For more products, visit our website:  
<http://www.bristan.com>



### Specification

Finish/Colour:	Gold
Product Type:	Fixed Shower Head
Main Construction Material:	Brass
Shower Head Type:	Fixed Shower Head
Maximum Hot Water Supply Temperature °C:	85
Maximum Static Pressure: (bar)	10
Minimum Dynamic Pressure:	Min: 0.2 bar, Max: 5.0 bar
Connection Inlet:	1/2" BSP
Contemporary or Traditional:	Traditional

### Dimensions (measurements in mm)



### Flow Rates (l/min)

System Pressure (bar)	0.2	0.5	1	2	3	5
Through Handset (mixed)	8.5	13.4	18.9	26.7	30	42.3

TECHNICAL  
DATA  
SHEET



**BRISTAN**

D7