

COB 1HBF C

COBALT Tap Range

Cobalt 1 Hole
Bath Filler Chrome



Features:

- Long life ceramic cartridge for added durability and ease of use
- Metal fixing nut for added durability
- Flexible tails included

Product Certifications:



WRAS Certificate No: 2006902
WRAS Expiry Date: 30/06/2025

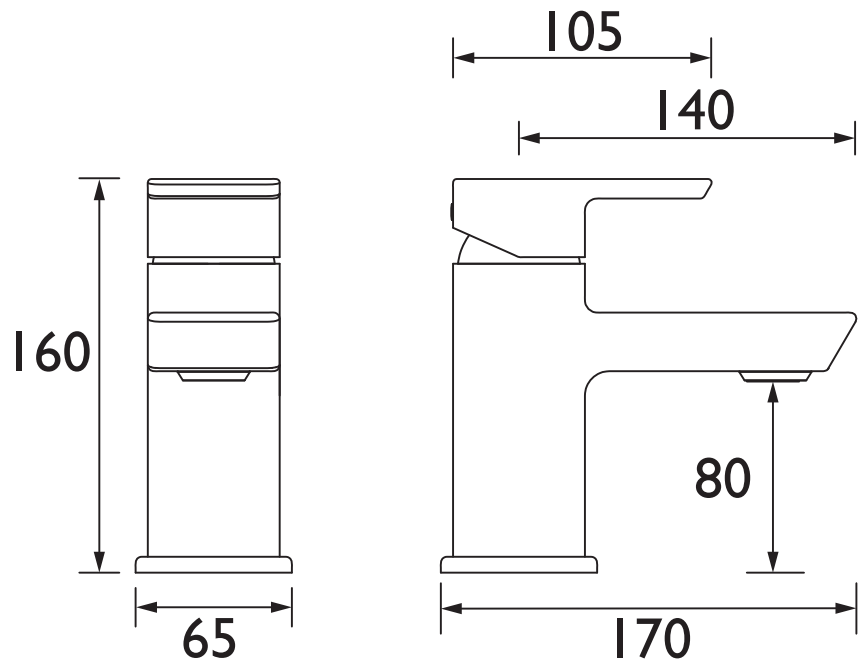
For more products, visit our website:
<http://www.bristan.com>



Specification

Product Type:	Bathroom Taps
Main Construction Material:	Brass
Mount Type:	Deck
Handle Type:	Square
Connection Inlet:	15mm Copper Tails
Connection Outlet:	M28 Flow Straightener
Number of Tap Holes:	1
Valve/Cartridge Type:	45mm Single Lever Cartridge
Plumbing System Requirements:	Suitable for all plumbing systems
Minimum Dynamic Pressure (bar):	0.2 bar
Maximum Dynamic Pressure (bar):	5 bar
Maximum Hot Water Temperature °C:	65°C
Maximum Static Pressure (bar):	10 bar
Flow Type:	Single
Isolation Included:	No

Dimensions (measurements in mm)



Flow Rates (l/min)

System Pressure (bar)	0.2	0.5	1	2	3	5
COB 1HBF C (mixed)	10.3	18.4	26.6	38.3	47	60

TECHNICAL
DATA
SHEET



BRISTAN

D5