

BTZ 1HBF C

BLITZ Tap Range

Blitz 1 Hole
Bath Filler Chrome



Specification

Product Type:	Bathroom Taps
Main Construction Material:	Brass
Mount Type:	Deck
Handle Type:	Round
Connection Inlet:	15mm Copper Tails
Connection Outlet:	M22 Flow Straightener
Number of Tap Holes:	1
Valve/Cartridge Type:	45mm Single Lever Cartridge
Plumbing System Requirements:	Suitable for all plumbing systems, ideally balanced
Minimum Dynamic Pressure (bar):	0.2 bar
Maximum Dynamic Pressure (bar):	5 bar
Maximum Hot Water Temperature °C:	65°C
Maximum Static Pressure (bar):	10 bar
Flow Type:	Single
Isolation Included:	No

Features:

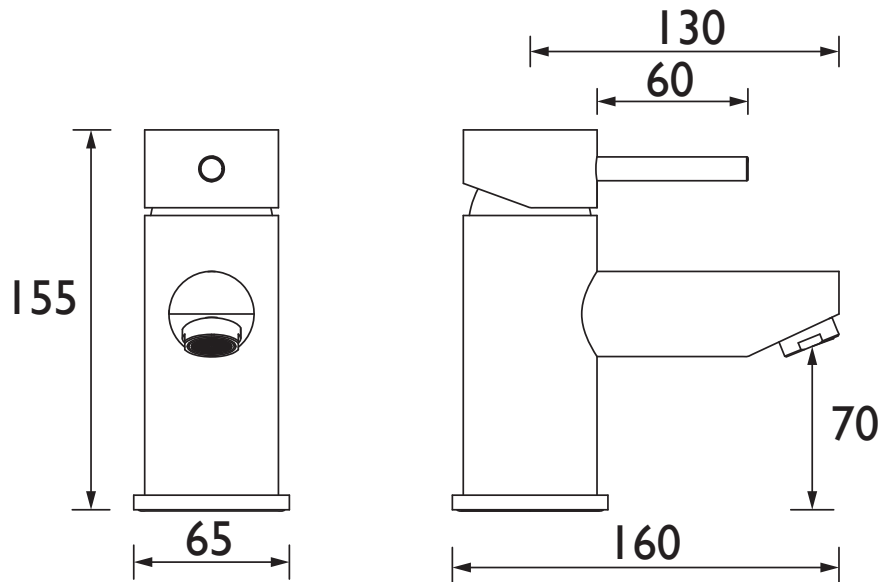
- Long life ceramic cartridge for added durability and ease of use
- Metal back nuts for added durability

Product Certifications:



WRAS Certificate No: 2106901
WRAS Expiry Date: 30/06/2026

Dimensions (measurements in mm)



For more products, visit our website:
<http://www.bristan.com>



Flow Rates (l/min)

System Pressure (bar)	0.2	0.5	1	2	3	5
BTZ 1HBF C (mixed)	13.5	19.5	26.4	36.5	44.7	57.8

TECHNICAL DATA SHEET



BRISTAN

D6