

SM SMBAS C

SMILE Tap Range Smile Small Basin Mixer Chrome



Features:

- Long life ceramic cartridge for added durability and ease of use
- Metal fixing nut for added durability
- Flexible tails included

Product Certifications:



WRAS Cert. Number: 2111902
WRAS Expiry Date: 30/11/2026



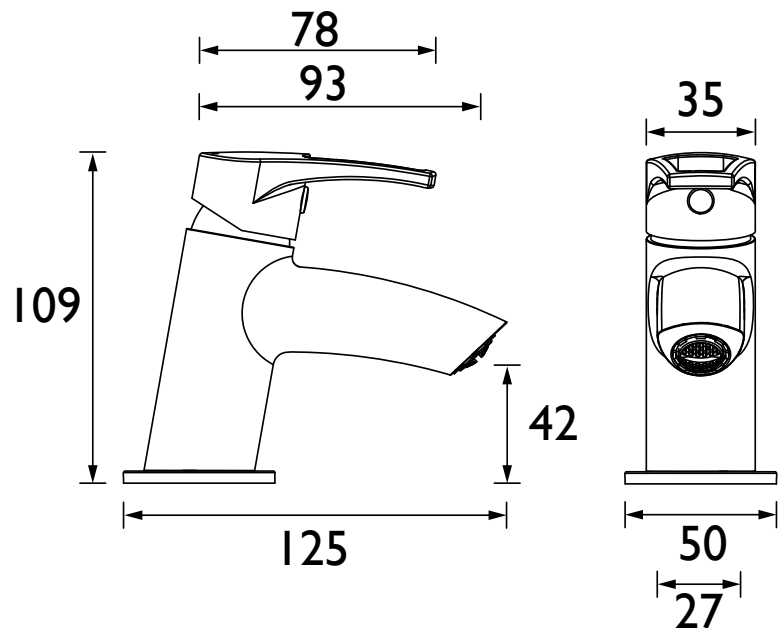
For more products, visit our website:
<http://www.bristan.com>



Specification

Product Type:	Bathroom Taps
Main Construction Material:	Brass
Mount Type:	Deck Mounted
Handle Type:	Lever Handle
Connection Inlet:	1/2" BSP Flexible Tails
Connection Outlet:	M18.5 Coin-Slot Aerator
Number of Tap Holes:	1
Valve/Cartridge Type:	25mm Cartridge
Plumbing System Requirements:	Suitable for all plumbing systems
Minimum Dynamic Pressure (bar):	0.3 bar
Maximum Dynamic Pressure (bar):	5.0 bar
Maximum Hot Water Temperature °C:	65°C
Maximum Static Pressure (bar):	10 bar
Flow Type:	Single Flow
Isolation Included:	No

Dimensions (measurements in mm)



Flow Rates (l/min)

System Pressure (bar)	0.3	0.5	1	2	3	5
SM SMBAS C (mixed)	5.2	6.7	9.4	13.3	16.3	21

TECHNICAL DATA SHEET



BRISTAN

D12