

BTZ SMBAS C

BLITZ Tap Range Blitz Small Basin Mixer Chrome



Specification

Product Type:	Bathroom Tap
Main Construction Material:	Brass
Mount Type:	Deck Mounted
Handle Type:	Peg Lever Handle
Connection Inlet:	1/2" BSP Flexible Tails
Connection Outlet:	M18 Flow Straightener
Number of Tap Holes:	1
Valve/Cartridge Type:	25mm Single Lever Cartridge
Plumbing System Requirements:	Suitable For All Plumbing Systems
Minimum Dynamic Pressure:	0.3 Bar
Maximum Dynamic Pressure:	5.0 Bar
Maximum Hot Water Temperature: °C	65
Maximum Static Pressure: (bar)	10
Flow Type:	Single Flow
Isolation Included:	No
Check Valve Supplied:	No

Features:

- Long life ceramic cartridge for added durability and ease of use
- Flexible tails included
- Metal back nuts for added durability
- Minimum working pressure of 0.3 Bar

Product Certifications:



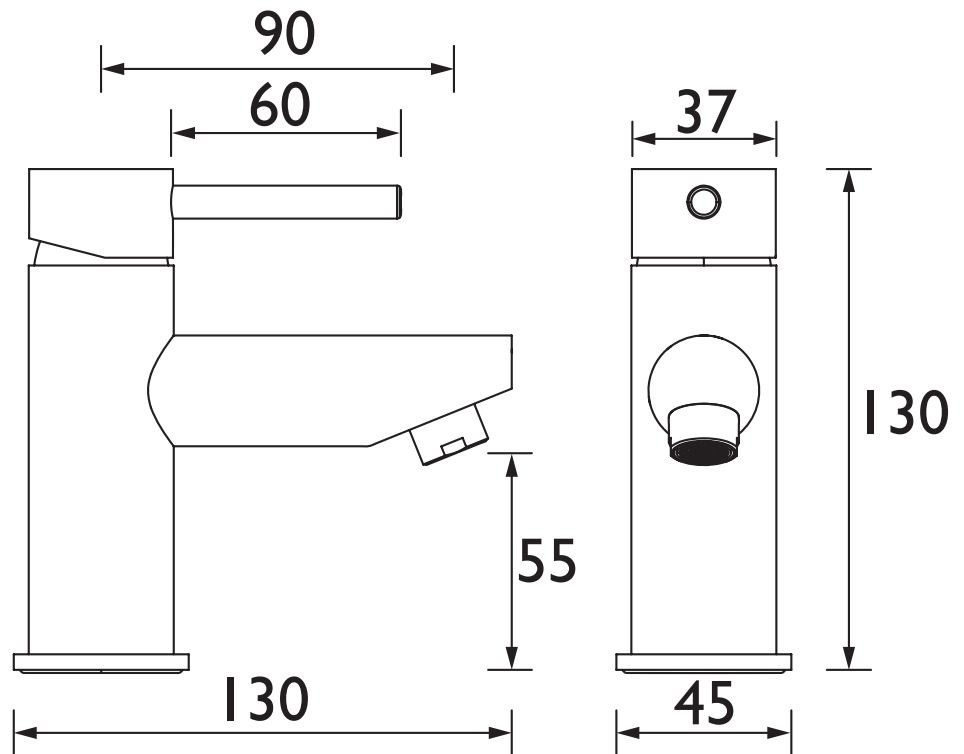
WRAS Cert. Number: 1606001
WRAS Expiry Date: 30/06/2021



For more products, visit our website:
<http://www.bristan.com>



Dimensions (measurements in mm)



Flow Rates (l/min)

System Pressure (bar)	0.3	0.5	1	2	3	5
BTZ SMBAS C (Mixed)	3.9	4.9	6.2	8.9	10.9	14.2

TECHNICAL DATA SHEET



BRISTAN

D5