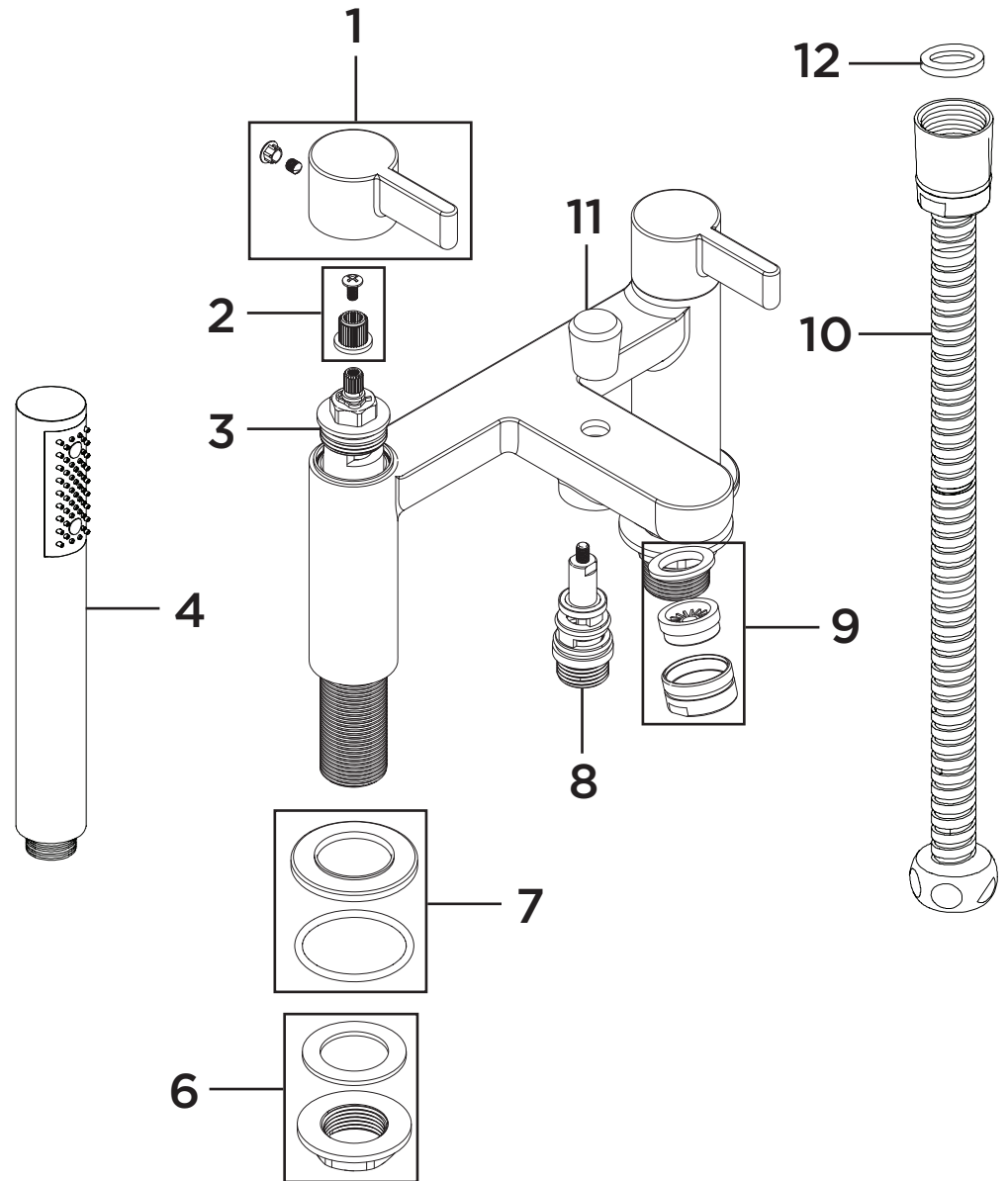


Product Code: CLI BSM C
Revision: D2



1	Handle Assembly (Pair)
2	Spline Adaptor
3	3/4" Ceramic Disc Valve (Pair)
4	Single Function Handset
5	Handset Holder
6	3/4" Backnut & Washer (Pair)
7	Plinth & Washer
8	Diverter Assembly
9	M28 Flow Straightener
10	1.75m Cone to Nut Hose
11	Diverter Knob
12	Hose Washers (Pair)

