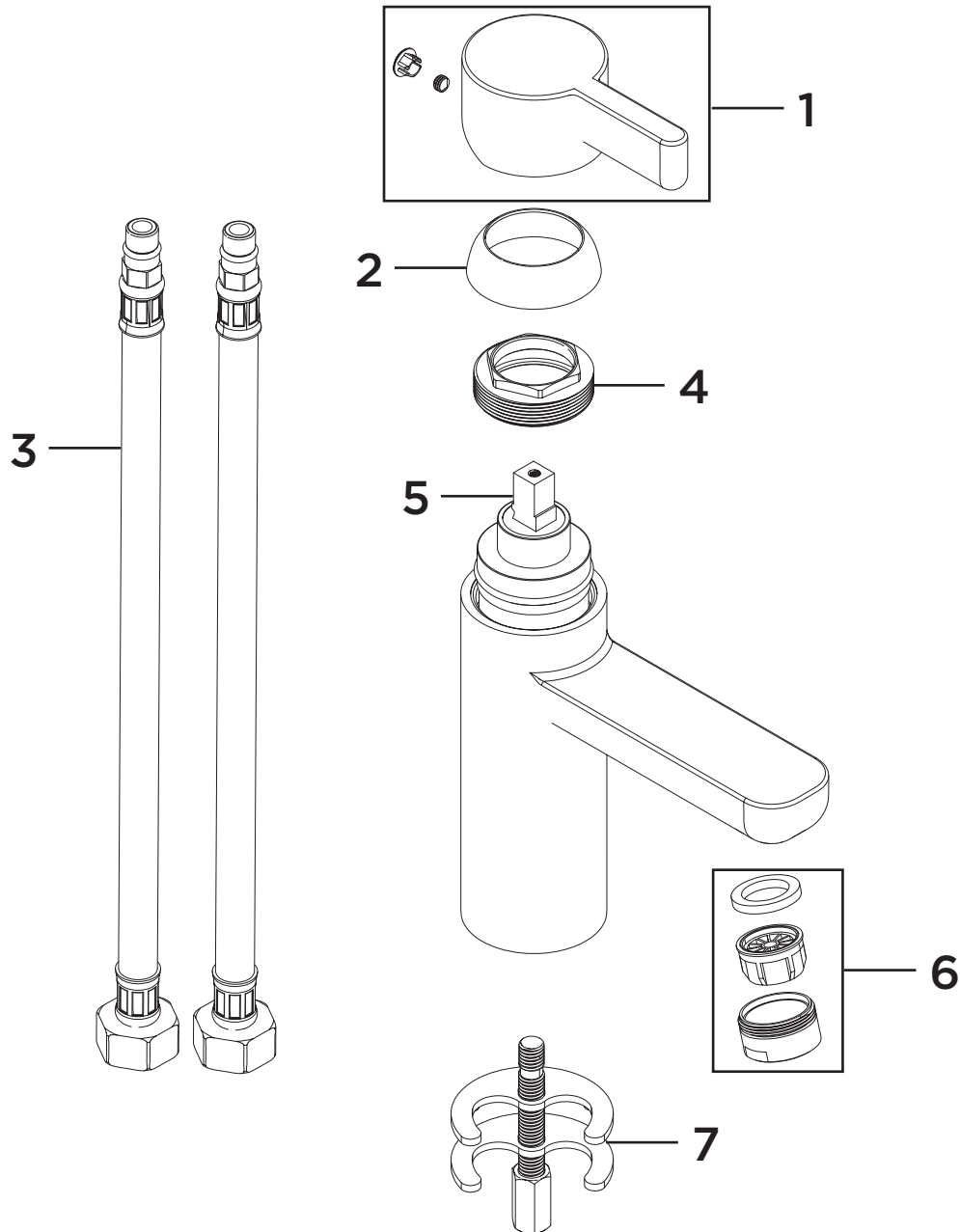


Product Code: CLI BAS C**Revision:** D2

1	Handle Assembly
2	Shroud
3	1/2" BSP Flexible Tails (Pair)
4	Cartridge Retaining Nut
5	35mm Stepped Cartridge
6	M24 Flow Straightener
7	Fixing Kit