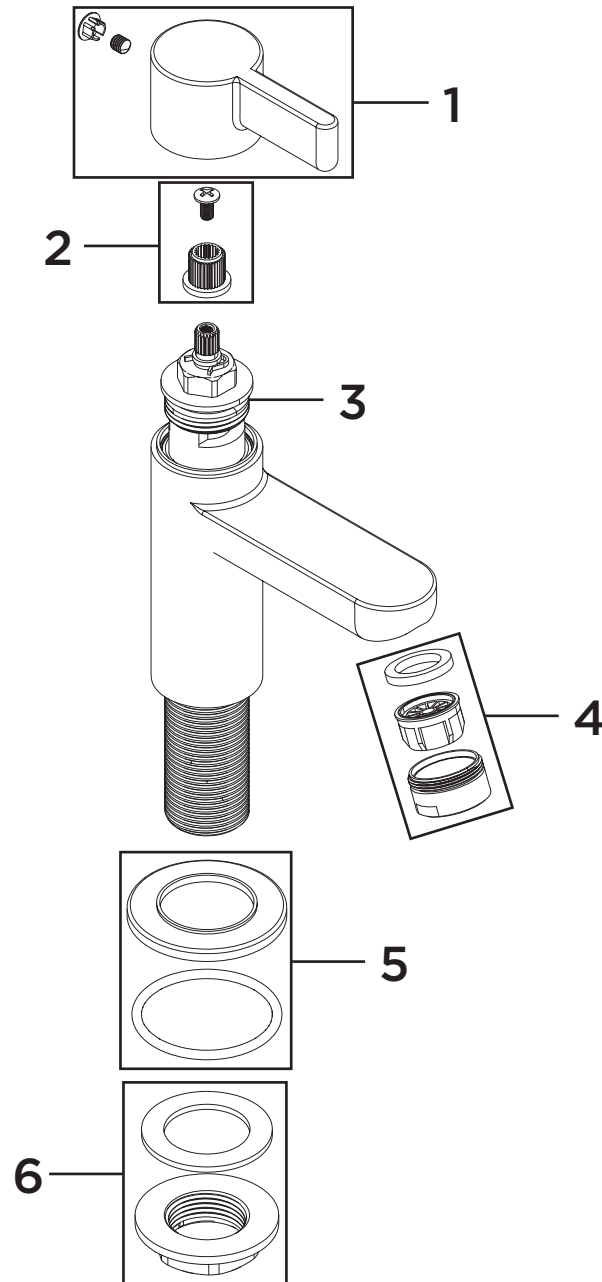


Product Code: CLI 3/4 C**Revision:** D2

1	Handle Assembly (Pair)
2	Spline Adaptor
3	3/4" Ceramic Disc Valve (Pair)
4	M24 Flow Straightener
5	Plinth & Washer
6	3/4" Backnut & Washer