

# TECHNICAL DATA SHEET



## MACADAMIA

### Kitchen Sink Mixer with Pull Out Handset

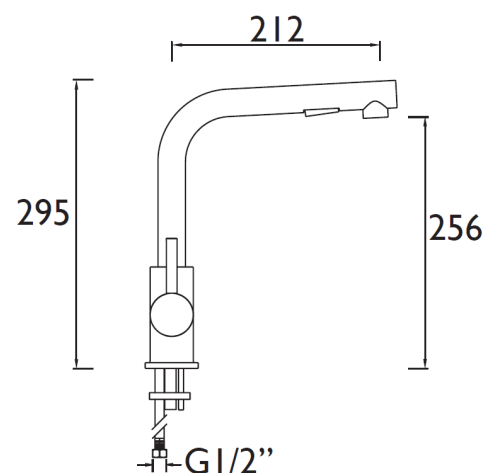
#### Product Specification

|                    |   |
|--------------------|---|
| Product Code:      | MCD PULLSNK C   |
| Finish:            | Chrome  |
| Product Type:      | Contemporary  |
| Construction:      | Body is of brass construction and is designed to conform to BS EN 200 |
| Cartridge Type:    | 35mm Cartridge  |
| Supply:            | Suitable for high pressure systems                                    |
| Inlet:             | M10 x 1/2" BSP Flexible Tails   |
| Working Pressures: | Min 1.5bar, Max 5.0bar  |



#### Additional Information

- Supplied with flexible connecting pipes and Isolation valves.
- Supplied with metal handle.
- Chrome plated to BS EN 248.
- Pull Out Hose allows for handset use with spray function.



#### Flow Rates (litres per minute)

| System Pressure       | 1.5bar | 2.0bar | 3.0bar | 4.0bar | 5.0 bar |
|-----------------------|--------|--------|--------|--------|---------|
| MCD PULLSNK C (Mixed) | 5.3    | 6.4    | 8.0    | 9.4    | 10.7    |

#### Compliance / Approvals

Manufactured to comply with WRAS

Technical Advice: For further information please call 0844 7016273 or email [customercare@bristan.com](mailto:customercare@bristan.com)

Guarantee: 5 years covering manufacturing faults



Bristan, Birch Coppice Business Park, Dordon, Tamworth, B78 1SG  
 Telephone: 0844 701 6274 Facsimile: 0844 701 6275  
 Web Site: [www.bristan.com](http://www.bristan.com) Email: [enquire@bristan.com](mailto:enquire@bristan.com)



The information contained on this page was correct at date of issue. Fitting dimensions are provided as a guide only. Some variation may occur due to manufacturing tolerances. Bristan pursues a policy of continuing improvement in design and performance of its products and so reserves the right to change specifications without prior notice.