

# VG SNK EF BN

## VEGAS Tap Range Vegas Easyfit Sink Mixer Brushed Nickel



### Features:

- Long life ceramic cartridge for added durability and ease of use
- Metal fixing nut for added durability
- Easyfit base included
- Flexible tails included

### Product Certifications:



WRAS Expiry Date : 30/11/2021  
WRAS Certificate Number : 1611004



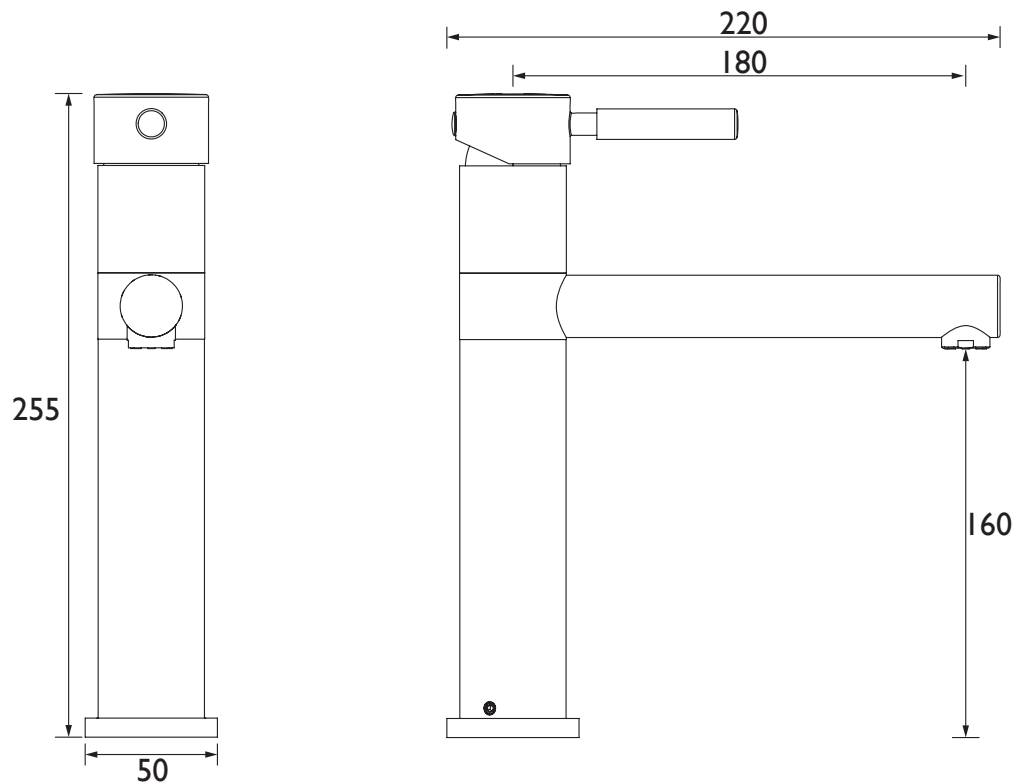
For more products, visit our website:  
<http://www.bristan.com>



### Specification

|  |                            |
|--|----------------------------|
| <b>Product Type:</b>                     | Kitchen Taps               |
| <b>Main Construction Material:</b>       | Brass                      |
| <b>Mount Type:</b>                       | Deck Mounted               |
| <b>Handle Type:</b>                      | Lever                      |
| <b>Connection Inlet:</b>                 | 1/2" BSP Flexible Tails    |
| <b>Connection Outlet:</b>                | Aerator                    |
| <b>Number of Tap Holes:</b>              | 1                          |
| <b>Valve/Cartridge Type:</b>             | 35mm Ceramic Cartridge     |
| <b>Plumbing System Requirements:</b>     | All, Preferably Balanced   |
| <b>Working Pressure Range:</b>           | Min 0.3 Bar, Max 5.0 Bar   |
| <b>Maximum Hot Water Temperature: °C</b> | 65                         |
| <b>Maximum Static Pressure: (bar)</b>    | 10                         |
| <b>Flow Type:</b>                        | Single: Single Flow /Dual: |
| <b>Isolation Included:</b>               | Yes                        |

### Dimensions (measurements in mm)



### Flow Rates (l/min)

| System Pressure (bar) | 0.2 | 0.5 | 1    | 2    | 3    | 5    |
|-----------------------|-----|-----|------|------|------|------|
| VG SNK EF BN          | 6   | 7.7 | 10.9 | 15.4 | 18.9 | 24.4 |

TECHNICAL  
DATA  
SHEET



**BRISTAN**  
TAPS & SHOWERS  
D5