

SM385 W

SMILE Electric Shower Range Smile 8.5kw Electric Shower White



Specification

Finish/Colour:	White
Main Construction Material:	ABS Plastic
No of Controls:	3
Control Type:	Push Button & Dials
Shower Type:	Electric Shower
Shower Head Type:	Single Function Handset
Working Pressure Range: (bar)	Min 0.7 Bar, Max 10 Bar
Maximum Static Pressure: (bar)	10
Plumbing System Suitability:	Mains Cold Feed Only
Connection Inlet:	15mm Push-Fit Connection
Connection Outlet:	G ½"
Thermostatic:	No
Isolation Valve Included:	No
Check Valve Included:	No
Power Rating:	8.5 KW (Standard)
Phased Shutdown Feature:	No
Energy Rating:	A

Features:

- 15mm push-fit inlet connection
- Available in 8.5kW and 9.5kW power ratings @240V
- Draws water directly from mains supply, at working pressures between 0.7 bar and 10 bar
- On/Off button; start the shower at the temperature last used
- Single function rub-clean anti-limescale handset

Product Certifications:



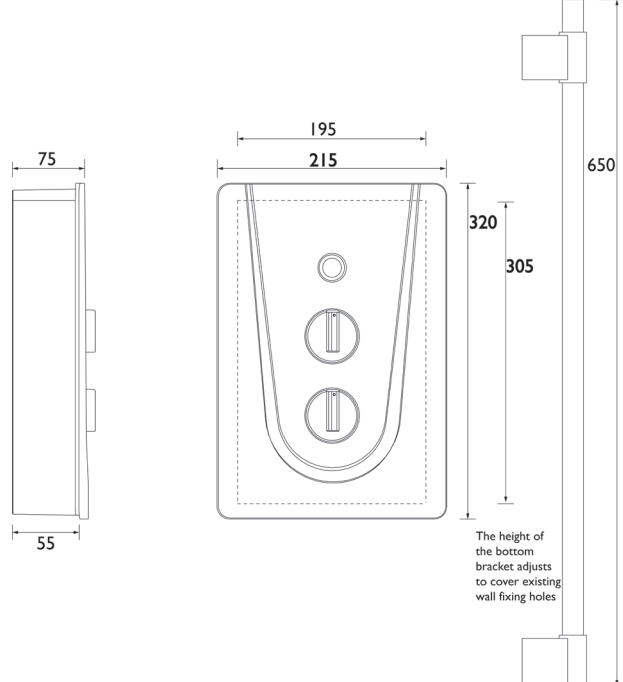
Intertek



For more products, visit our website:
<http://www.bristan.com>



Dimensions (measurements in mm)



Flow Rates (l/min)

Power	8.5kW	9.5kW	10.5kW
Flow Rate	4.5	5.1	5.6

Quoted as per European Water Label (EWL) scheme conditions:

Output - 42°C, Input - 15°C, Voltage - 240V

TECHNICAL
DATA
SHEET



BRISTAN

D11