

N2 CSHXTVO C

1901 Shower Range 1901 Exposed Concentric Chrome Top Outlet Shower Valve Only



Features:

- The 1901 Exposed Thermostatic Dual Control Shower Valve in chrome combines Edwardian elegance with modern concentric styling. Thermostatic control maintains consistent temperature, while built-in safety features protect your family from scalding.
- Save water without compromising performance thanks to two built-in 8L flow regulators
- Enjoy peace of mind with a 42°C safety stop, including override when required
- Save time and avoid plumbing changes with a shower that fits your existing pipework, thanks to adjustable inlets for centres between 136mm and 158mm.
- Built to last, backed by a lifetime parts and 1-year labour guarantee

Product Certifications:

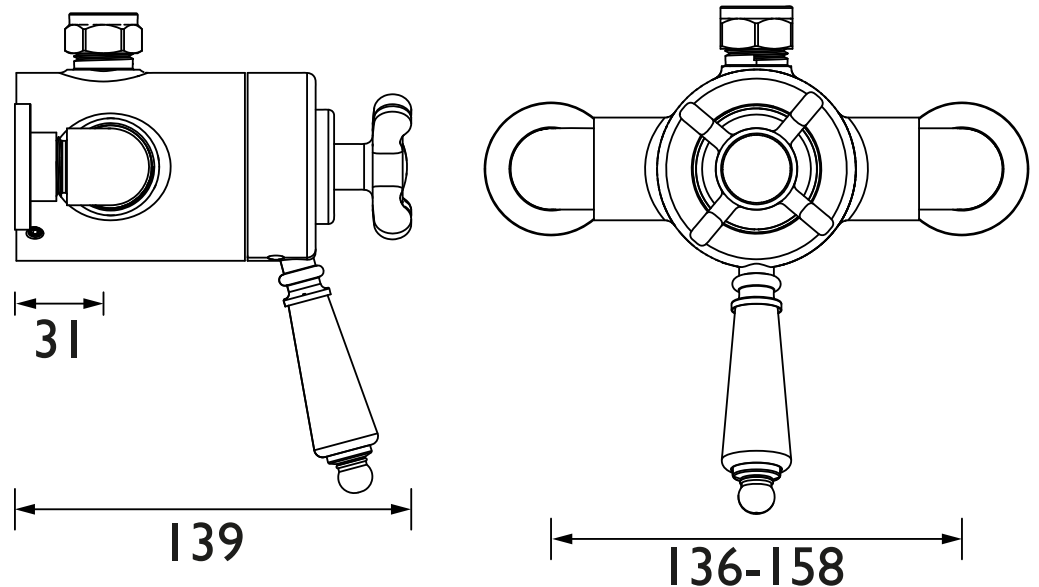


WRAS Cert. Number: 2207907
WRAS Expiry Date: 31/07/2027

Specification

Finish/Colour:	Chrome Plated
Main Construction Material:	Brass
No of Controls:	2
Shower Type:	Exposed Concentric
Valve/Cartridge Type:	Concentric Thermostatic Cartridge
Maximum Hot Water Supply Temperature °C:	65
Plumbing System Suitability:	Suitable for all plumbing systems
Minimum Dynamic Pressure (bar):	0.2
Maximum Dynamic Pressure (bar):	5
Maximum Static Pressure (bar):	10
Connection Inlet:	15mm Compression
Connection Outlet:	G 1/2"
Isolation Valve Included:	No
Check Valve Included:	No

Dimensions (measurements in mm)



Flow Rates (l/min)

System Pressure (bar)	0.2	0.5	1	2	3	5
With Flow Limiters (mixed)	7.5	11.9	13.4	13.2	13.1	11.4
Without Flow Limiters (mixed)	7.5	14.3	20.7	30.9	37.9	48.9

TECHNICAL DATA SHEET



BRISTAN

D9