

# GLE385 B

# GLEE Electric Shower Range

Glee 8.5KW



## Features:

- 15mm push-fit inlet connection
- Available in 8.5kW, 9.5kW and 10.5kW power ratings @240V
- Draws water directly from mains supply, at working pressures between 0.7 bar and 10 bar
- Anti-limescale feature reduces build up and rub-clean handset helps extend product life
- Choose your ideal temperature with the digital display

## Product Certifications:



Intertek



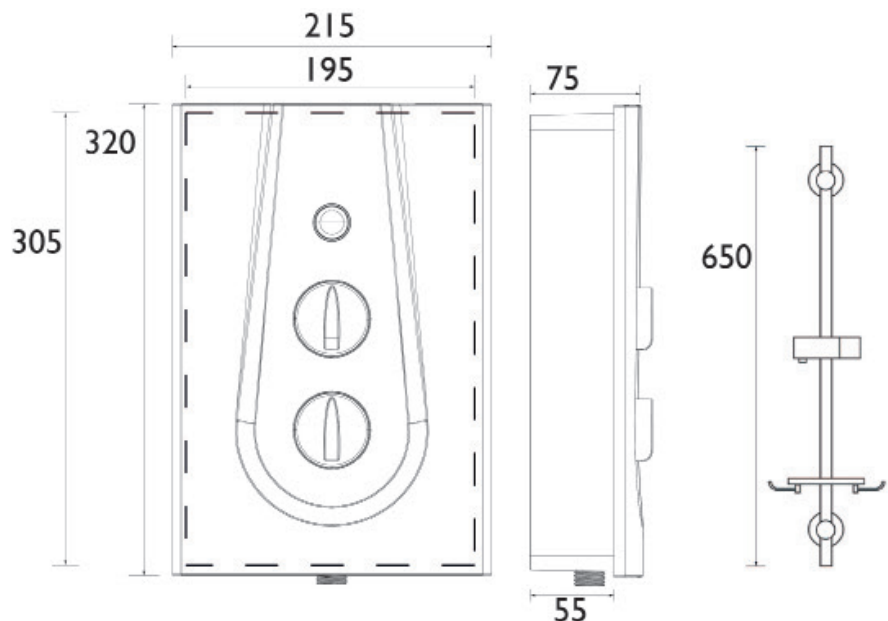
For more products, visit our website:  
<http://www.bristan.com>



## Specification

Finish/Colour:	Balck
Main Construction Material:	ABS Plastic
No of Controls:	3
Control Type:	Push Button and Dial
Shower Type:	Electric Shower
Shower Head Type:	Multi Function Handset
Working Pressure Range: (bar)	Min 0.7 Bar, Max 10 Bar
Maximum Static Pressure: (bar)	10
Plumbing System Suitability:	Mains Cold Feed Only
Connection Inlet:	15mm Push-Fit Connection
Connection Outlet:	G 1/2"
Thermostatic:	No
Isolation Valve Included:	No
Check Valve Included:	No
Power Rating:	8.5kW (standard)
Phased Shutdown Feature:	Yes
Energy Rating:	<b>A</b>

## Dimensions (measurements in mm)



## Flow Rates (l/min)

Power	8.5kW
Flow Rate	4.5

Quoted as per European Water Label (EWL) scheme conditions:  
 Output - 42°C, Input - 15°C, Voltage - 240V

# TECHNICAL DATA SHEET



# BRISTAN