

# BRISTAN

## Installation Instructions and User Guide

Models covered:

Round Mirror  
Oval Mirror  
Square Mirror  
Rectangle Mirror

Please keep this booklet for future  
reference.

Installer: When you have read these  
instructions please ensure you leave them  
with the user.

# Contents

When you purchase a Bristan product, you can be confident that it not only features a beautiful, distinctive, classical design, but also, that it has been made to the very highest quality standards.

To ensure that it works to its full potential, it needs to be fitted correctly.

These fitting instructions have been created to give you all of the information you need and if you need any further help, please do not hesitate to give us a call on 0844 701 8503.

Safety Information	02
Installation	03-04
Aftercare	05
Guarantee	06

## Important Safety Information

Warning: Before starting any installation please consider the following: Prior to drilling into walls or floors, check that there are no hidden electrical wires, cables or water supply pipes. This can be checked with the aid of an electronic detector.

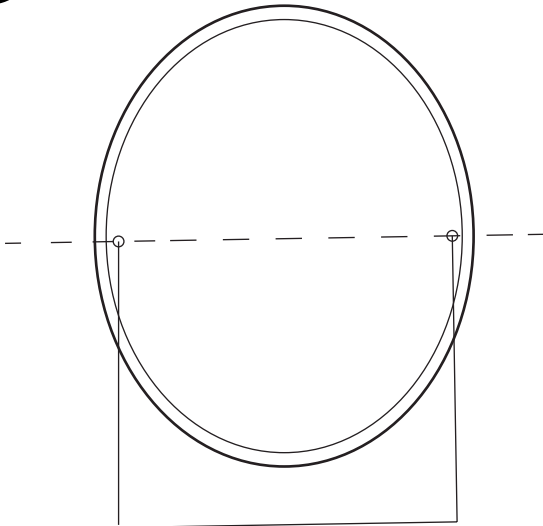
- If power tools are used do not forget to:
- Wear eye protection
  - Unplug equipment after use

If you are unsure at all regarding the installation of this product, you should consult a competent person with experience of installing products of this nature.

The accuracy and levelness of these product may depend on the floor and walls being level and perpendicular to each other, if not then a spirit level can be used during the installation to get an accurate alignment.

# Installation

1



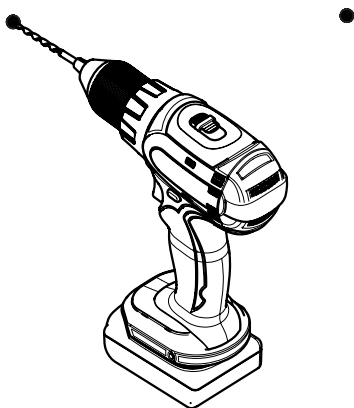
Offer the mirror up to the desired position. Measure the distance between the holes on the mirror.

2



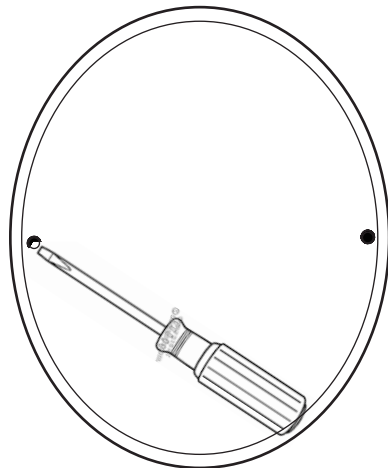
Mark the holes with a pencil and spirit level using the measurement taken.

3



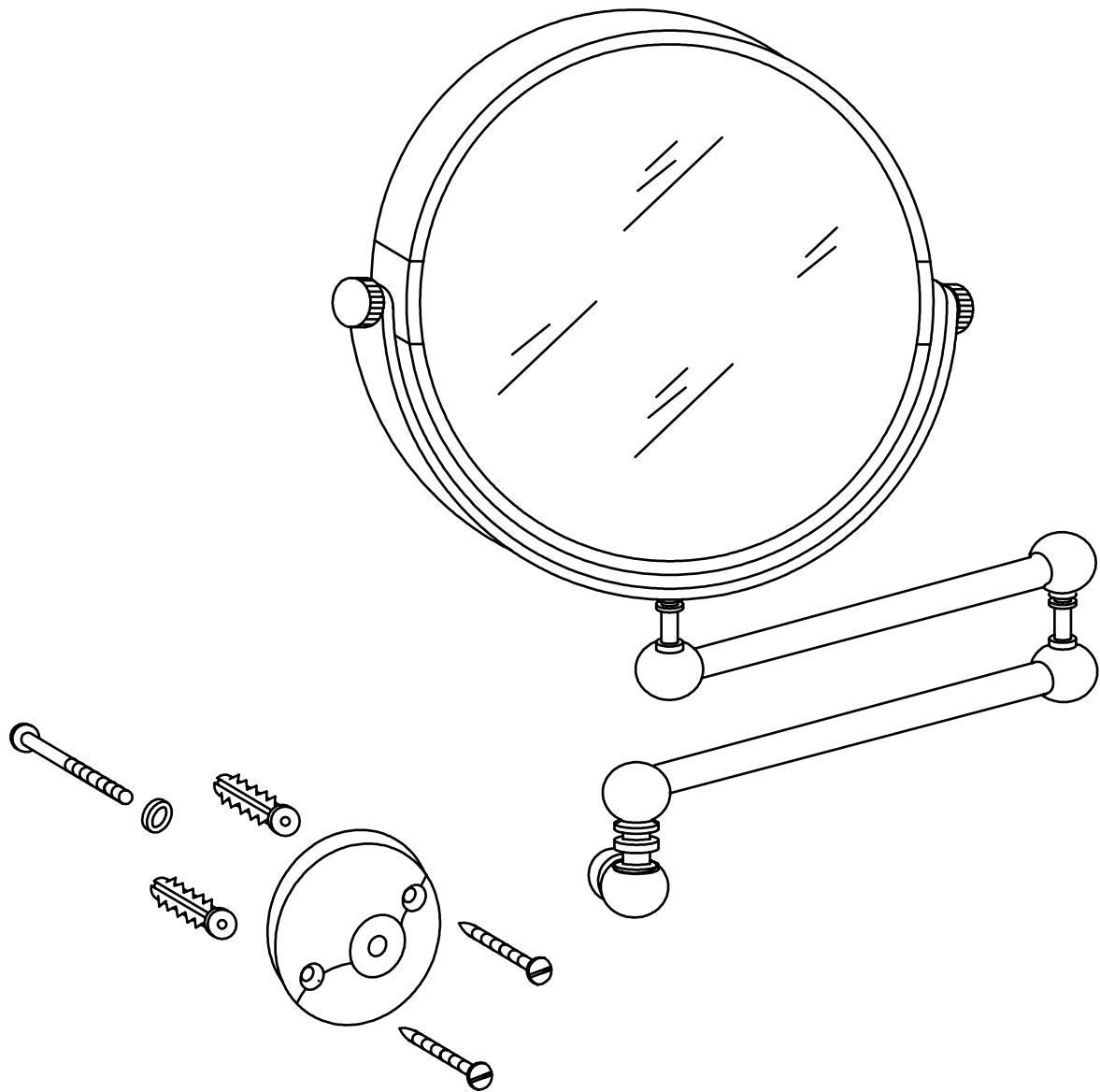
Drill the holes to the required size of the wall plugs. Insert the wall plugs into the holes. This is based on the supplied fixings being suitable for the wall. If not, obtain suitable fixings.

4



Mount the mirror using the spacers and screws supplied (if applicable to the wall. **DO NOT OVERTIGHTEN OR YOU RISK BREAKING THE MIRROR.** Check the mirror for security.

# Installation



Single backplate fitting mirror:

1. Establish position for the accessory, making sure there is sufficient room.
2. Items must always be measured prior to fitting, as there will be slight variations in production runs.
3. Drill holes with a 5.5mm masonry drill & insert the wall plugs so that they are flush with the wall. Note the wall plugs provided are suitable for solid walls only. If using on plasterboard or hollow walls, specialist fixings are required, these can be obtained from a DIY outlet.

## Aftercare

Your fitting has a high quality finish and should be treated with care to preserve the visible surfaces.

All surface finishes will wear if not cleaned correctly, the only safe way to clean your product, is to wipe with a soft damp cloth. Stains can be removed using washing up liquid. All bath cleaning powders and liquids can damage the surface of your fitting even the non-scratch cleaners.

# Bristan Guarantee

Bristan offers solid guarantees to provide you with complete peace of mind.

## **Taps and Mixers**

5 year parts and 1 year labour\*.  
Gold, painted and special finishes  
3 years parts only.

All subject to proof of purchase.

## **Mixer Shower Valves**

1 year parts. 1 year labour\* (subject to registration), or 1 year with proof of purchase.

Gold, painted and special finishes 3 years parts only.

## **Pumps and Power Showers**

2 year parts. 1 year labour\* (subject to registration).

## **Electric Showers/Instantaneous Water Heaters**

2 year parts. 1 year labour\* (subject to registration).

## **Accessories**

5 year parts only. Includes bathrooms accessories, shower accessories (e.g. hoses, handsets and poles), wastes, mirrors, WC levers and light pulls. Gold, painted and special finishes 3 years parts only.

## **Sanitaryware**

5 year parts only. Subject to proof of purchase.

## **Shower Enclosures and Shower Trays**

10 year parts (subject to registration), or 2 years with proof of purchase. 1 year labour\* (subject to registration), or 1 year with proof of purchase.

## **Heated Towel Rails**

5 year parts only. Gold, painted and special finishes 3 years parts only. All subject to proof of purchase.

\*Labour provided by an approved Bristan engineer. Guarantee only applies to products with a manufacturing fault. A deferred payment will be necessary in order to secure any visits by our engineers which will be charged if the problem is found **not** to be a manufacturing fault. If the fault is found to be down to a manufacturing error, the payment will be released and not charged.

This guarantee applies to products purchased within the United Kingdom or Republic of Ireland, but does not apply to products used commercially.

The guarantee is only available to original purchasers who have proof of purchase.

The installation must allow ready access to all products for the purpose of inspection, maintenance or replacement.

Any part found to be defective during the above guarantee period will be replaced without charge, providing that the product has been installed in accordance with the instructions, used as intended, and regularly serviced.

Servicing should be carried out at regular intervals of no more than 12 months and more frequently in hard water areas (heavy lime scale) areas.

In the unlikely event that any problems are encountered with the product's performance on installation, you must obtain guidance/authorisation from our Customer Service Department, and be able to supply proof and date of purchase, before any remedial action is taken.

The guarantee excludes general wear and tear and damage caused by accident, misuse or neglect, and does not cover the following:



# BRISTAN

This booklet covers product codes

COMP MRRD C  
COMP MROV C  
COMP MRSQ C  
COMP MRRE C

Helpline

0844 701 6273

Bristan Group Limited  
Birch Coppice Business Park, Dordon, Tamworth, Staffordshire B78 1SG

A Masco Company  
Website: [www.bristan.com](http://www.bristan.com)  
Telephone: 0844 7016 274 Facsimile: 0844 701 6275  
Email: [enquire@bristan.com](mailto:enquire@bristan.com)