

BL3105 B

BLISS Electric Shower Range BLISS 10.5KW ELECTRIC SHOWER BLACK



Features:

- 15mm push-fit inlet connection
- Available in 8.5kW, 9.5kW and 10.5kW power ratings @240V
- Draws water directly from mains supply, at working pressures between 0.7 bar and 10 bar
- Touch controls with super sleek looks
- Anti-limescale feature reduces build up and rub-clean handset helps extend product life

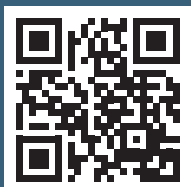
Product Certifications:



Intertek



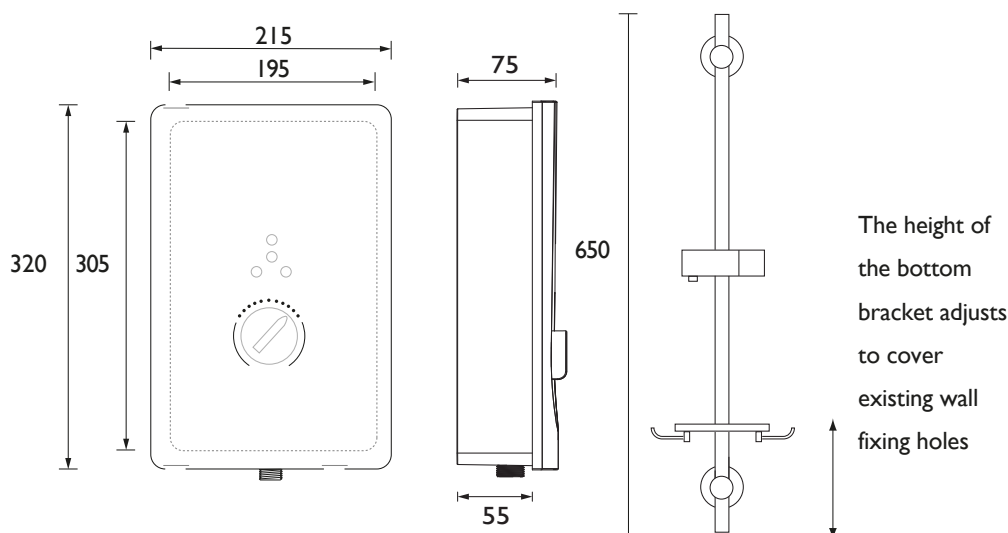
For more products, visit our website:
<http://www.bristan.com>



Specification

Finish/Colour:	Black
Main Construction Material:	ABS Plastic
No of Controls:	5
Control Type:	Dial and Push Button
Shower Type:	Electric Shower
Shower Head Type:	Multi Function Handset
Working Pressure Range: (bar)	Min 0.7 Bar, Max 10 Bar
Maximum Static Pressure: (bar)	10
Plumbing System Suitability:	Mains Cold Feed Only
Connection Inlet:	15mm Push-Fit Connection
Connection Outlet:	G 1/2"
Thermostatic:	No
Isolation Valve Included:	No
Check Valve Included:	No
Power Rating:	10.5kW (+24% more flow)
Phased Shutdown Feature:	Yes
Energy Rating:	A

Dimensions (measurements in mm)



Flow Rates (l/min)

Power	10.5kW
Flow Rate	5.6

Quoted as per European Water Label (EWL) scheme conditions:
Output - 42°C, Input - 15°C, Voltage - 240V

TECHNICAL DATA SHEET



BRISTAN

D9