

QST SQSHXAR C

QUEST Shower Range Quest Exposed Sequential Chrome Shower Valver with Adjustable Riser Kit



Specification

Finish/Colour:	Chrome Finish
Main Construction Material:	Brass
No of Controls:	1
Shower Type:	Exposed Bar Shower
Shower Head Type:	Adjustable
Valve/Cartridge Type:	Exposed
Maximum Hot Water Supply Temperature °C:	65
Maximum Static Pressure: (bar)	10
Plumbing System Suitability:	All - Ideally Balanced
Working Pressure Range:	Min. 0.2 Bar - Max. 5.0 Bar
Connection Inlet:	½" BSP
Connection Outlet:	½" BSP
Isolation Valve Included:	No
Check Valve Included:	No

Features:

- 15mm inlet connections
- Easy replacement with adjustable inlets so you can use on existing pipework centres between 136mm and 158mm
- Thermostatic cartridge with preset temperature stop at 42°C
- Supplied with 2 x 8L/min flow regulators
- Includes riser rail with adjustable fixing bracket, rub-clean anti-limescale handset and hose

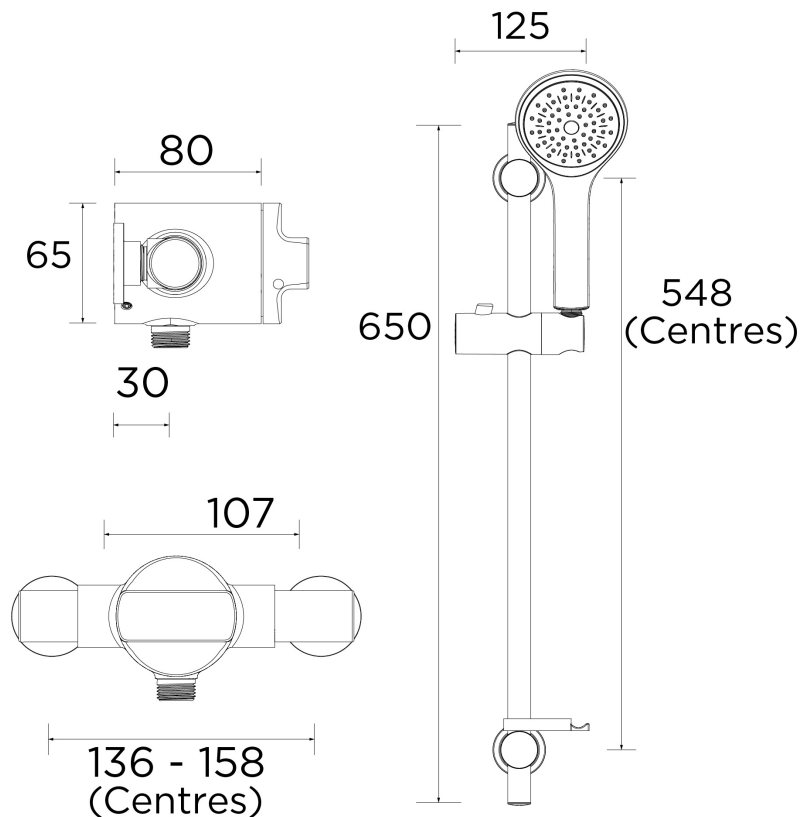
Product Certifications:



For more products, visit our website:
<http://www.bristan.com>



Dimensions (measurements in mm)



Flow Rates (l/min)

System Pressure (bar)	0.2	0.5	1	2	3	5
Through Handset (mixed)	3.7	4.1	6.5	9.8	14.2	23

TECHNICAL
DATA
SHEET



BRISTAN

D2