

PM2 SQSHCVO C

PRISM Shower Range Prism Concealed Sequential Chrome Shower Valve



Features:

- Valve will fit in 35mm cavity space
- Supplied with Easyfit Wall Outlet
- Supplied with 8l/m flow limiters
- Matching taps available
- Chrome plated to BS EN 248

Product Certifications:

WRAS Certificate No: 1702038



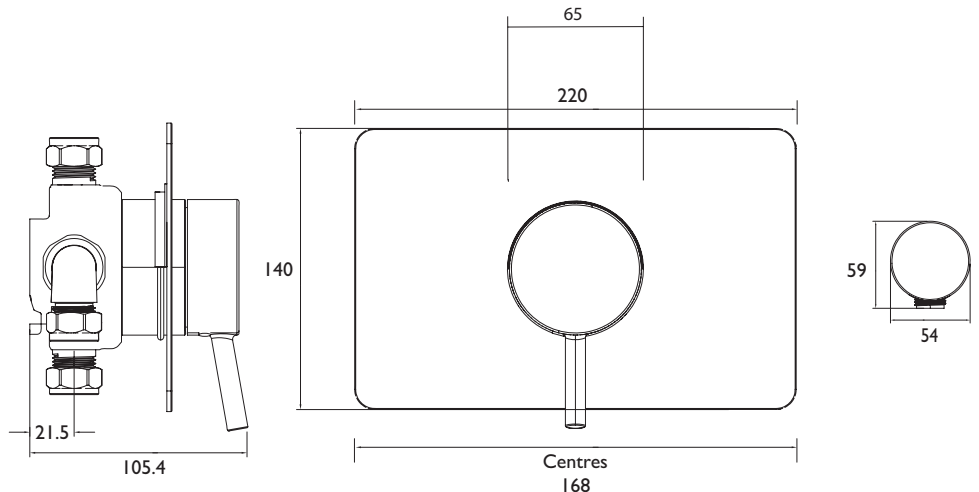
For more products, please visit our website:



Specification

Style:	Contemporary
Finish/Colour:	Chrome
Main Construction Material:	Brass
No of Controls:	1
Shower Type:	Sequential
Temperature Control:	Thermostatic
Shower Head Type:	
Maximum Temperature Setting: °C	42
Maximum Hot Water Temperature: °C	65
Dynamic Pressure Range: (bar)	Min 0.2 Bar, Max 5.0 Bar
Maximum Static Pressure: (bar)	10
Plumbing System Suitability:	Suitable for all plumbing conditions
Flow Rate (l/min @ 3 bar)	12.3
Flow Regulator:	Yes
Connection Inlet:	15mm Compression
Connection Outlet:	G 1/2"
Isolation Valve Included:	No
Check Valve Included:	Yes

Dimensions (measurements in mm)



Flow Rates (l/min)

System Pressure (bar)	0.1	0.2	0.5	1	2	3	4	5
With Flow Regulators	2.2	3.2	5	7	10.1	12.3	12.2	12.1
Without Flow Regulators	6.3	10.9	19.5	27.6	39	47.8	55.2	61.7

TECHNICAL DATA SHEET



BRISTAN

TAPS & SHOWERS

D4