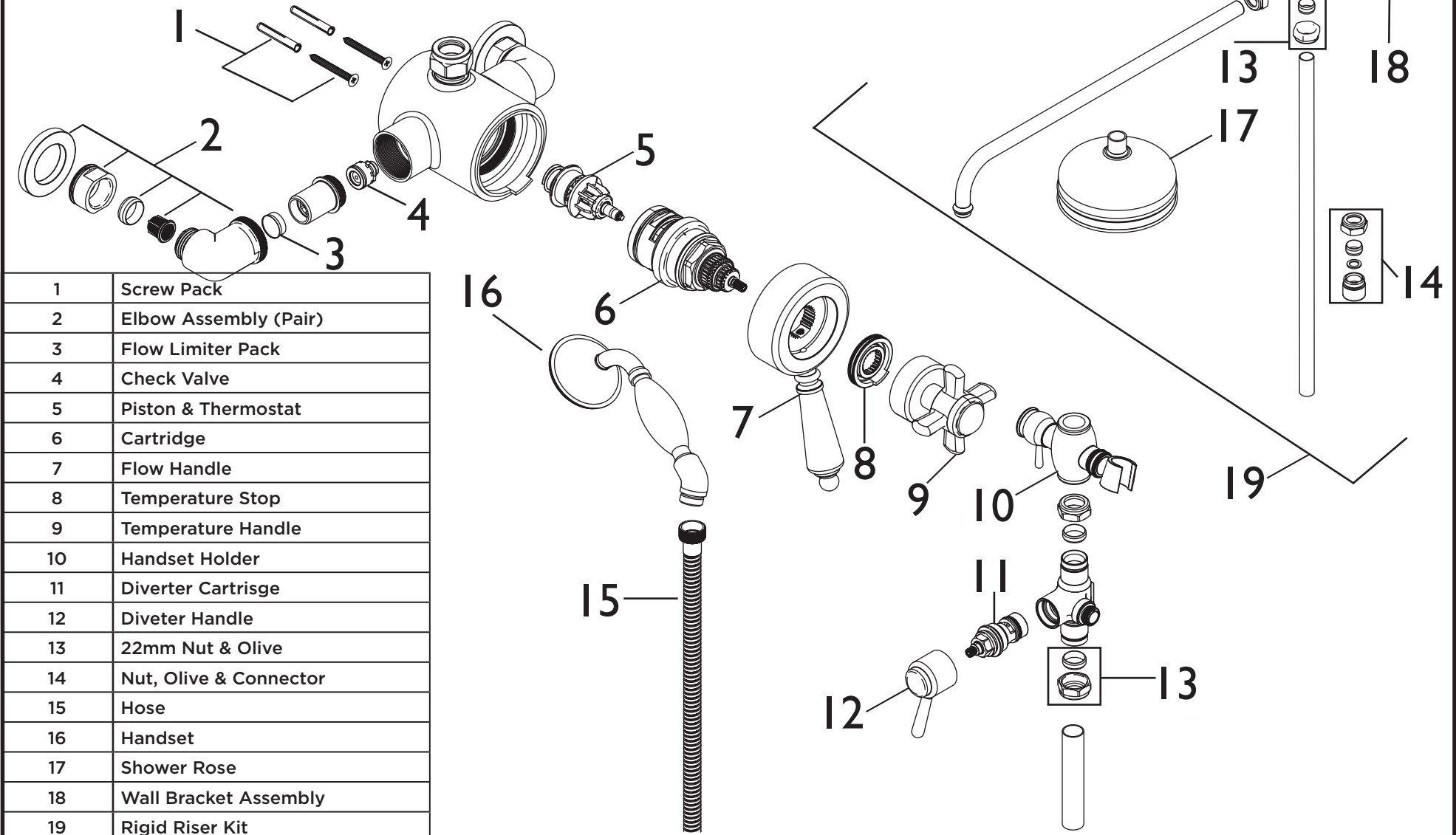


Product Code: N2 CSHXDIV C

Revision: D3



1	Screw Pack
2	Elbow Assembly (Pair)
3	Flow Limiter Pack
4	Check Valve
5	Piston & Thermostat
6	Cartridge
7	Flow Handle
8	Temperature Stop
9	Temperature Handle
10	Handset Holder
11	Diverter Cartridge
12	Diverter Handle
13	22mm Nut & Olive
14	Nut, Olive & Connector
15	Hose
16	Handset
17	Shower Rose
18	Wall Bracket Assembly
19	Rigid Riser Kit