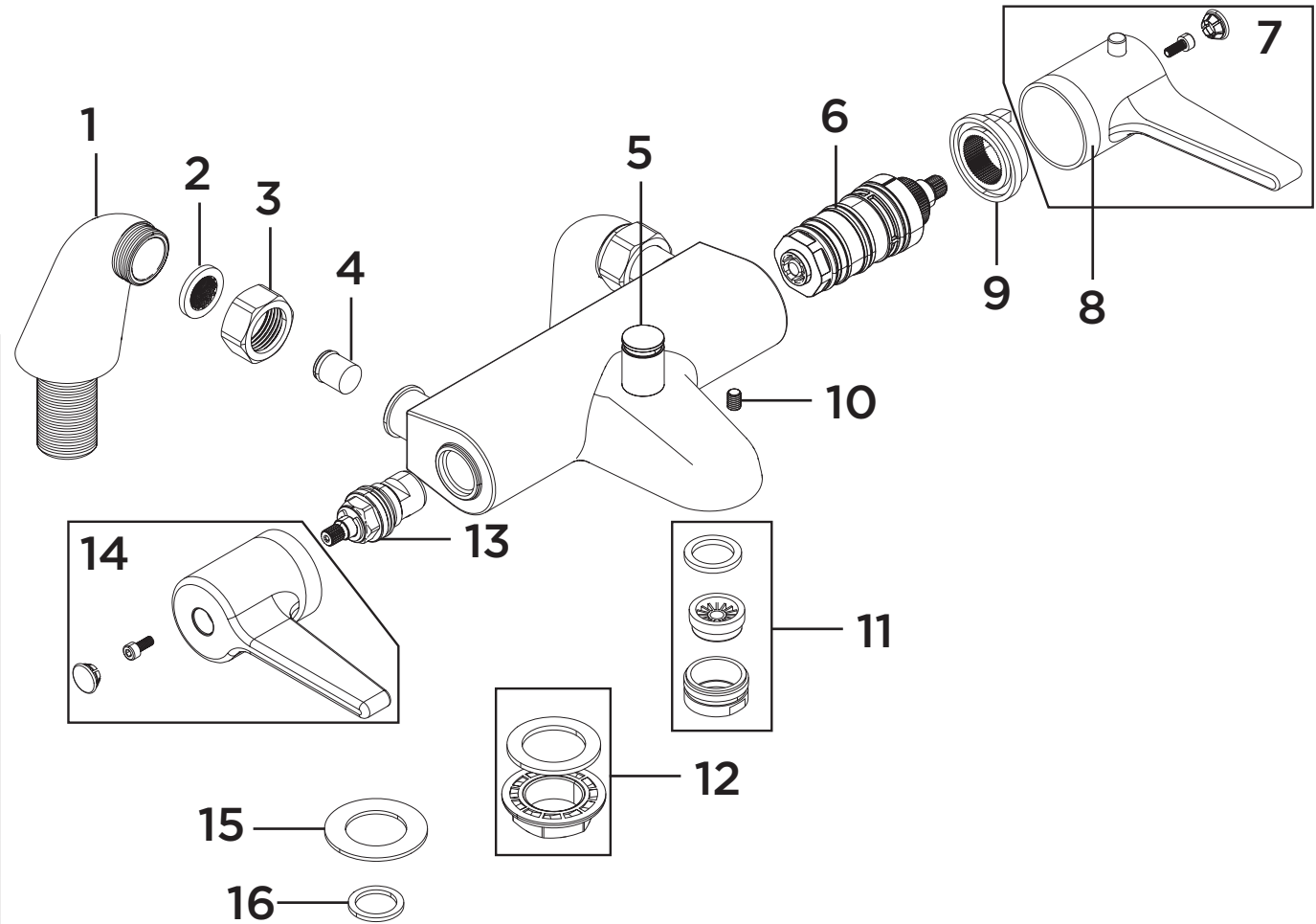


Product Code: DUL3 THBSM C

Revision: D2



1	Pillar Legs (Pair)
2	3/4" Filter Washers (Pair)
3	Nut (Pair)
4	Check Valve
5	Diverter Mechanism with Knob
6	Thermostatic Cartridge
7	Temperature Handle
8	Temperature Indice
9	Temperature Stop
10	Cartridge Retaining Screw
11	Flow Straightener
12	3/4" Backnut & Washer
13	1/2" Ceramic Disc Valve
14	Flow Handle
15	Leg Washers (Pair)
16	Tail Washers (Pair)